



A TEREX BRAND

## **Parts Manual**

Serial Number Range

**GS-4047**

from SN GS4716P-101

to SN GS4716P-999

from SN GS47P-1000

Part No. 1273857GT  
Rev: B.07  
May 2023

---

## Technical Publications

Genie has endeavored to deliver the highest degree of accuracy possible. However, continuous improvement of our products is a Genie policy. Therefore, product specifications are subject to change without notice.

Readers are encouraged to notify Genie of errors and send in suggestions for improvement. All communications will be carefully considered for future printings of this and all other manuals.

---

## Contact Us:

Internet: [www.genielift.com](http://www.genielift.com)  
e-mail: [awp.techpub@terex.com](mailto:awp.techpub@terex.com)

---

## Find a Manual for this Model

Go to <http://www.genielift.com>


Use the links to locate Operator's, Parts,

---

Copyright © 2011 by Terex Corporation

1273857GT Rev B.07 May 2023  
First Edition, Second Printing

Genie is a registered trademark of Terex South Dakota in the USA and many other countries. "GS" is a trademark of Terex South Dakota, Inc.

 Printed on recycled paper

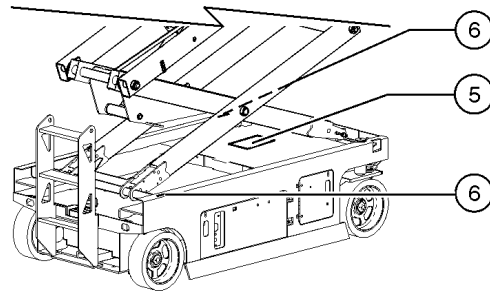
To August 31, 2016

**Genie**  
A TEREX BRAND

Model:  
**Serial number:** GS4716P-123456  
**Manufacture date:** 1/2/16      **Model year:** 2016  
**Electrical schematic number:**  
**Machine unladen weight:**  
**Rated work load (including occupants):**  
**Maximum number of platform occupants:**  
**Maximum allowable inclination of the chassis:**  
**Outrigger retracted:**  
**Outrigger deployed:**

GS47 16 P - 123456

(1)      (2)      (3)      (4)



- 1 Model
- 2 Model year
- 3 Facility code

- 4 Sequence number
- 5 Serial label (located on chassis)
- 6 Serial number (stamped on chassis)

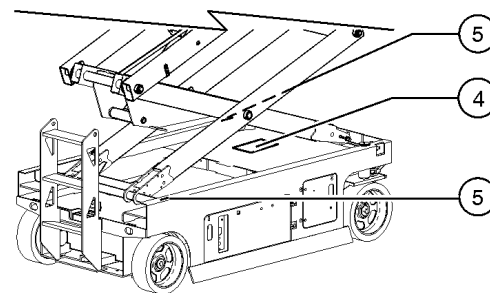
From September 1, 2016

**Genie**  
A TEREX BRAND

Model:  
**Serial number:** GS47P-123456  
**Year of manufacture:** 2016  
**Electrical schematic number:**  
**Machine unladen weight:**  
**Rated work load (including occupants):**  
**Maximum number of platform occupants:**  
**Maximum allowable inclination of the chassis:**  
**Outrigger retracted:**  
**Outrigger deployed:**

GS47 P - 123456

(1)      (2)      (3)



- 1 Model
- 2 Facility code
- 3 Sequence number

- 4 Serial label (located on chassis)
- 5 Serial number (stamped on chassis)

## How to Order Parts

Please be prepared with the following information when ordering replacement parts for your Terex or Genie product.

- Machine model number
- Machine serial number
- Part number
- Part description and quantity
- Purchase order number
- "Ship to" address
- Desired method of shipment
- Name and telephone number of the authorized distributor in your area

Use the Service Parts Fax Order Form on the next page and fax your order to our Parts Department.

If you don't know the name of your authorized distributor, or if your area is not currently serviced by an authorized distributor, please call Terex or Genie Industries.

## Machine Information

\_\_\_\_\_

Model

\_\_\_\_\_

Serial Number

\_\_\_\_\_

Date of Purchase

\_\_\_\_\_

Authorized Genie Distributor

\_\_\_\_\_

Phone Number

### North America

Telephone (425)881-1800

Toll Free (800)536-1800 in US and Canada

Fax (425)556-8659

Toll Free fax (888)274-6192

Email [AWP.PartsSalesPO@terex.com](mailto:AWP.PartsSalesPO@terex.com)

<http://genielift.com/en>

### EMEAR (Europe, Middle East, Africa and Russia)

Telephone (31)(165)519 313

Fax (31)(165)511 148

<http://genielift.co.uk>

### Asia Pacific (Genie Singapore)

Telephone +65 6692 7777

Fax +65 6261 8893

<http://genielift.com.sg/>

### Australia

Telephone (61)(7)3456 4444

Fax (61)(7)3456 4466

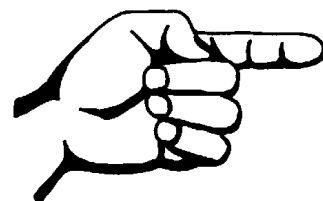
<http://genielift.com.au>

### South America

Telephone (55)(11)4082 5600

Fax (55)(11)4082 5630

Please refer to section 001 for the Recommended Spare Parts List.



This page intentionally left blank.



### Service Parts Fax Order Form

Fax to: (425) 556-8659 or Toll Free: 888-274-6192  
International: +1-425-556-8659

**Please fill out completely**

Date \_\_\_\_\_ Account Number \_\_\_\_\_  
 Your Name \_\_\_\_\_ Your Fax Number \_\_\_\_\_  
 \_\_\_\_\_ Your Phone Number \_\_\_\_\_  
 Bill To \_\_\_\_\_ Ship To \_\_\_\_\_  
 \_\_\_\_\_  
 \_\_\_\_\_  
 \_\_\_\_\_  
 Purchase Order Number \_\_\_\_\_ Ship Via \_\_\_\_\_

Model(s) \_\_\_\_\_ Serial No.(s) \_\_\_\_\_

Optional Equipment \_\_\_\_\_

Part Number	Description	Quantity	Price

**All back-ordered parts will be shipped when available via the same ship method as the original order unless Noted below:**

- Ship complete order only - No back orders
- Ship all available parts and contact customer on disposition of back-ordered parts
- Other (please specify)

<b>Description</b>	<b>Page</b>
<b>001 Parts Stocking List .....</b>	<b>10</b>
001.1 Parts Stocking List .....	10
<b>100 Decals .....</b>	<b>12</b>
101.1 Word Decals, Battery Side .....	12
102.1 Word Decals, Ground Control Side .....	14
102.2 Word Decals, Ground Control Side .....	16
103.1 Word Decals, Platform .....	18
104.1 Symbol Decals, Battery Side .....	20
105.1 Symbol Decals, Ground Control Side .....	22
105.2 Symbol Decals, Ground Control Side .....	24
106.1 Symbol Decals, Platform .....	26
<b>200 Drive Chassis Components.....</b>	<b>28</b>
201.1 Steer Linkage and Wheels .....	28
202.1 Non-Steer Axle Installation .....	30
203.1 Level Sensor Installation .....	32
204.1 Pot Hole Protection Assembly .....	34
205.1 Battery Pack Tray .....	38
206.1 Battery Charger (to SN 2645) .....	40
206.2 Battery Charger (from SN 2646) .....	42
207.1 Power Unit Module .....	44
208.1 Ground Controls .....	46
209.1 Electrical Wiring .....	50
209.2 Electrical Wiring .....	54
210.1 Power Cables .....	58
211.1 Accumulator, Lift Pressure Select and Function Manifolds .....	60
<b>300 Scissor Components .....</b>	<b>62</b>
301.1 Scissor Assembly Installation .....	62
302.1 Scissor Assembly .....	64
303.1 Scissor Assembly, Hose Clamps .....	70
<b>400 Platform Components .....</b>	<b>72</b>
401.1 Platform Components .....	72
402.1 Power to Platform .....	78
403.1 Platform Controls .....	80
404.1 Joystick Controller Metal Base .....	82
404.2 Joystick Controller Plastic Base .....	84
<b>500 Hydraulic Components.....</b>	<b>86</b>

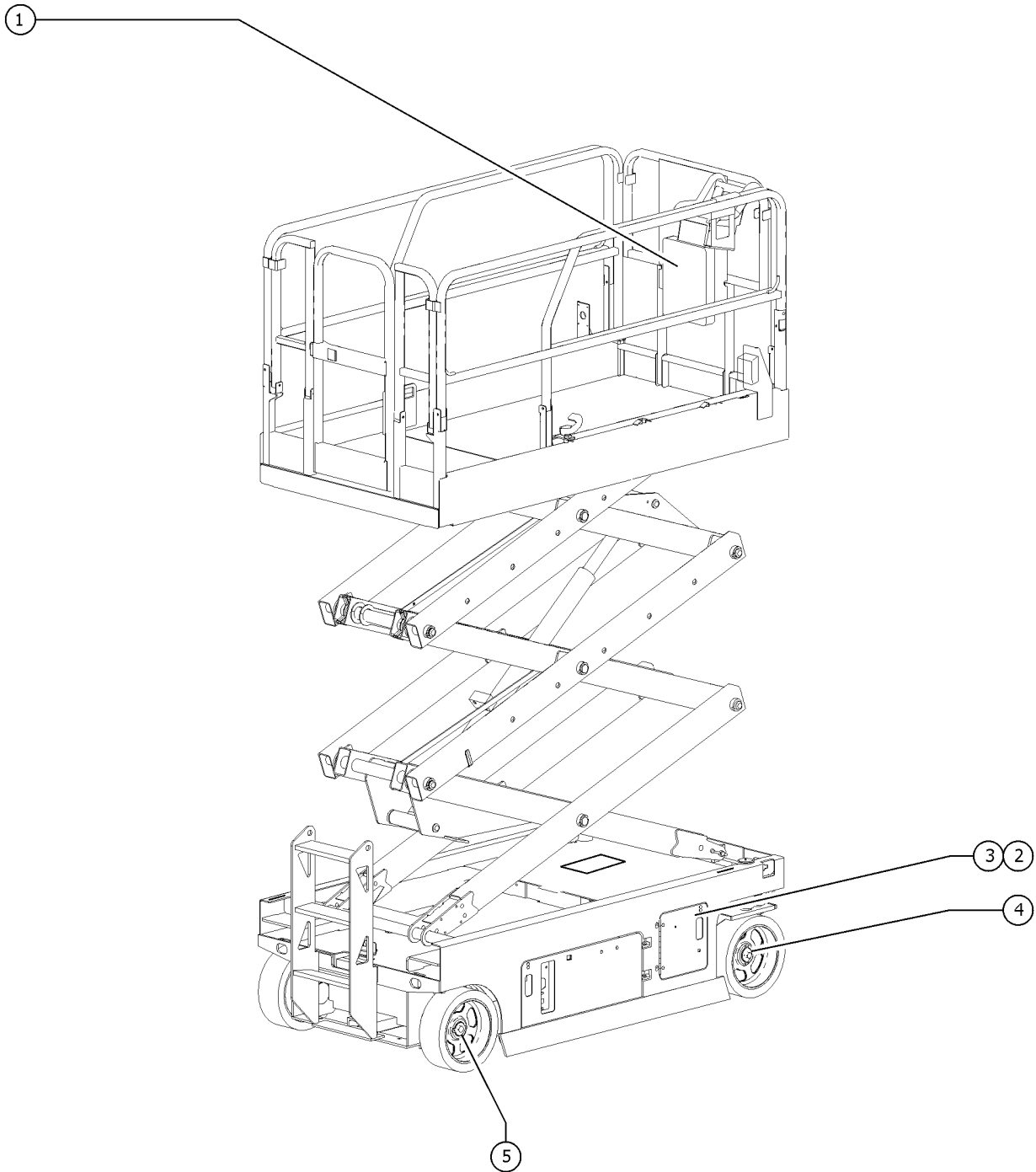
Table of Contents

<b>Description</b>	<b>Page</b>
501.1 Hydraulic Components .....	86
502.1 Function Manifold .....	88
503.1 Brake Release Hand Pump Manifold .....	92
504.1 Hydraulic Power Unit .....	94
505.1 Lift Cylinder Assemblies .....	96
506.1 Hydraulic Hoses and Fittings .....	98
<b>600 Accessories .....</b>	<b>102</b>
601.1 Alarm, Horn and Flashing Beacons .....	102
602.1 Air Line to Platform .....	104
603.1 RCBO .....	106
604.1 Voltage Inverter .....	108
605.1 Lift Guard Contact Alarm, View-1 (to SN GS47P-3306) .....	110
605.2 Lift Guard Contact Alarm, View-1 (from SN GS47P-3307) .....	112
606.1 Lift Guard Contact Alarm, View-2 (to SN GS47P-3306) .....	114
606.2 Lift Guard Contact Alarm, View-2 (from SN GS47P-3307) .....	116
607.1 Telematics Option .....	118
<b>Part Number Index .....</b>	<b>120</b>





001.1 Parts Stocking List

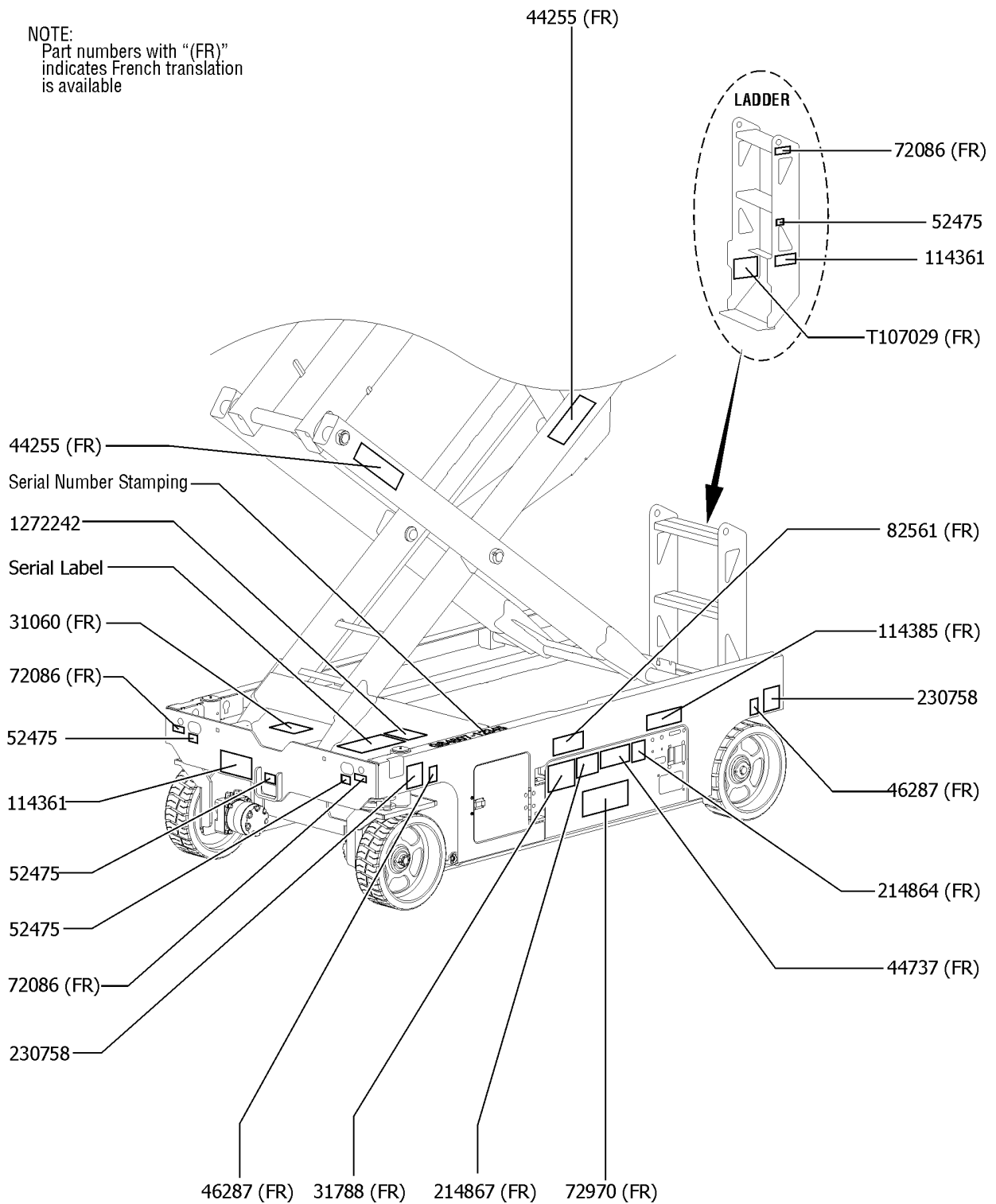


<i>Item</i>	<i>Part No.</i>	<i>Description</i>	<i>Qty.</i>
A-	66399GT	GREASE,DIELECTRIC 4 OZ** .....	
B-		Ref. CHEVRON ULTRA-DUTY GREASE (LITHIUM), OR EQUIVALENT, EP NLGI 1 ..... (source locally)	
C-	1484GT	PAINT,AEROSOL,BRIGHT BLUE*** .....	
		12-ounce spray paint	
D-	1268GT	PAINT,AEROSOL,GENIE GRAY*** .....	
		12-ounce spray paint	
E-	49613GT	PLUG AND CAP KIT-SERVICE,ORFS* .....	
1A	27581GT	MANUAL, EMI SAFETY .....	
1B	1298933GT	MANUAL, SAIA MANUAL OF RESPONSIBILITIES, MEWP .....	1
2	44788GT	FILTER ELEMENT-10MICRON, PAPER* .....	
3	78546GT	BREATHER CAP, HYD. TANK, 1/4 NPT .....	
4	13635-10GT	PIN,COTTER,.156 X 1.75 .....	
5	42079GT	PIN,COTTER,.156 X 2.5 .....	



101.1 Word Decals, Battery Side

NOTE:  
Part numbers with "(FR)"  
indicates French translation  
is available

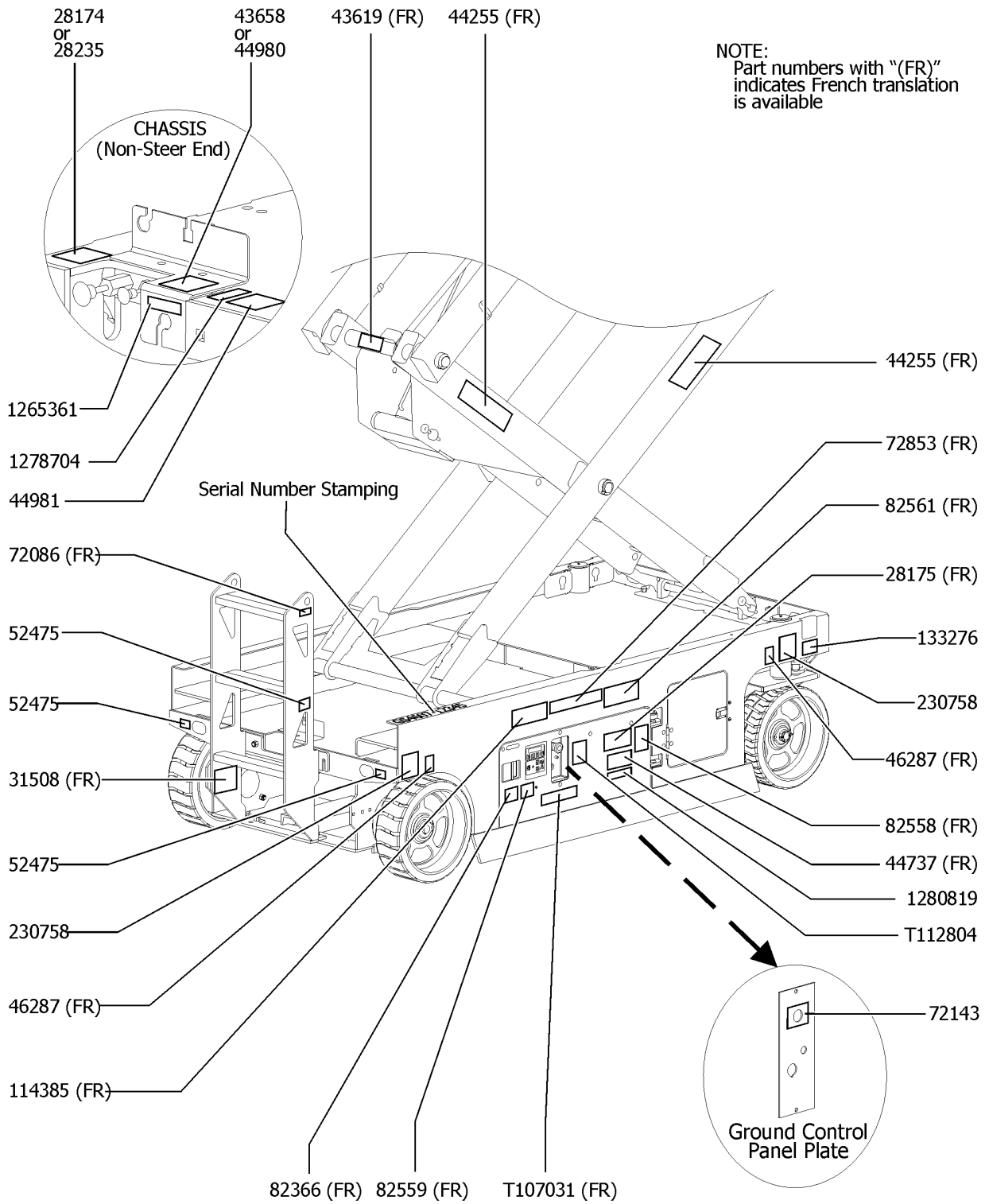


101.1 Word Decals, Battery Side

<i>Item</i>	<i>Part No.</i>	<i>Description</i>	<i>Qty.</i>
1	31060GT	DECAL,DANGER DO NOT ALTER SWTC .....	1
2	31788GT	DECAL,DANGER,BATTERY SAFETY*** .....	1
3	44255GT	DECAL,DANGER,CRUSHING HAZARD .....	2
4	44737GT	DECAL,DANGER,TIP-OVER,TRAYS .....	1
5	46287GT	DECAL,LABEL-TIRE SPECS .....	2
6	52475GT	DECAL LABEL TRANSPORT TIE DOWN* .....	4
7	72086GT	DECAL,LABEL,LIFTING EYE .....	3
8	72970GT	DECAL,INSTRUCTIONS-CHARGER OP .....	1
9	82561GT	DECAL,DANGER-USE SAFETY ARM .....	1
10	114361GT	DECAL,SYM-TIP-OVER,LIM SWITCH .....	2
11	114385GT	DECAL,DANGER,ELEC HAZARD,GS .....	1
12	214864GT	ECAL,BATTERY CONNECTION,GS-4047 .....	1
13	214867GT	DECAL,BATT. TRAY/WEIGHT,GS-4047 .....	1
14	230758GT	DECAL,LABEL,WHEEL LOAD,GS-4047 .....	2
15	T107029GT	DECAL DANGER BRAKE REL SAFETY .....	1
16	1272242GT	DECAL,MACHINE REGISTRATION/OWNER TRANSFER .....	1



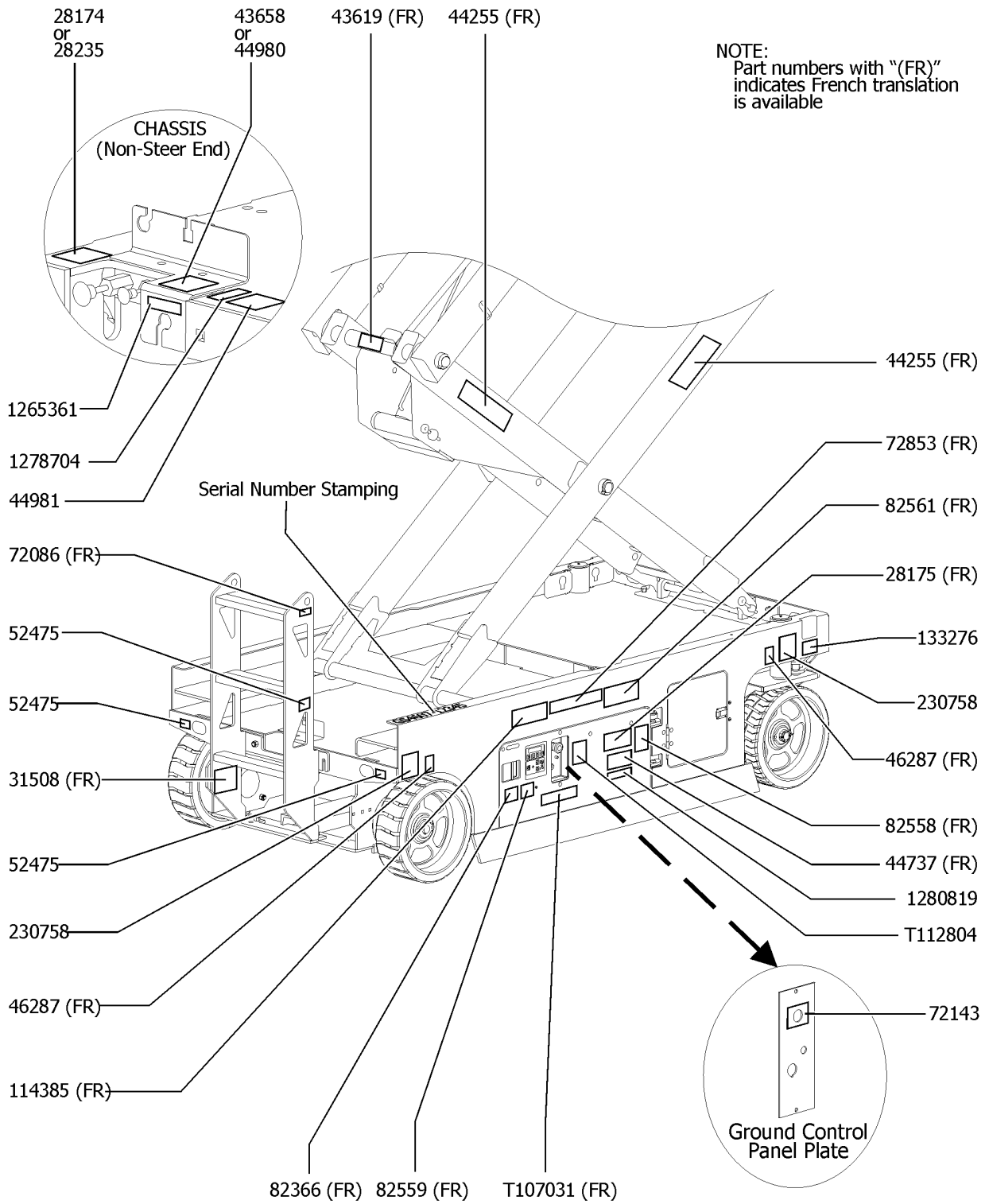
102.1 Word Decals, Ground Control Side



Item	Part No.	Description	Qty.
1	28174GT	DECAL, POWER TO PLATFORM 230V** Option, power to platform	1
2	28175GT	DECAL,WARNING-COMPART ACCESS	1
3	28235GT	DECAL, POWER TO PLATFORM 115V** Option, power to platform	1
4	31508GT	DECAL,DANGER,ELECT HAZARD,PLUG	1
5	43619GT	DECAL LABEL SAFETY ARM	1
6	43658GT	DECAL, LABEL, PWR TO CHARGER 230 EU Option, power to charger	1
7	44255GT	DECAL,DANGER,CRUSHING HAZARD	2
8	44737GT	DECAL,DANGER,TIP-OVER,TRAYS	1
9	44980GT	DECAL, LABEL, PWR TO CHARGER 115 UK Option, power to charger	1
10	44981GT	DECAL LABEL AIRLINE 110PSI Option, airline to platform	1
11	46287GT	DECAL,LABEL-TIRE SPECS	2
12	52475GT	DECAL LABEL TRANSPORT TIE DOWN*	3
13	72086GT	DECAL,LABEL,LIFTING EYE	1
14	72143GT	DECAL, EMERGENCY STOP, GR	1
15	72853GT	DECAL,DANGER,IMPROPER USE HAZ.	1
16	82366GT	DECAL,CHEVRON RANDO HD Option, hydraulic oil	1
17	82558GT	DECAL,SKIN INJECTION	1
18	82559GT	DECAL,INSTRUCT-ANNUAL INSP REQ	1
19	82561GT	DECAL,DANGER-USE SAFETY ARM	1
20	114385GT	DECAL,DANGER,ELEC HAZARD,GS	1
21	133276GT	DECAL,EMERGENCY LOWERING	1
22	230758GT	DECAL,LABEL,WHEEL LOAD,GS-4047	2
23	T107031GT	DECAL,OP INST,GCON	1
24	T112804GT	DECAL,GCON PANEL,GS	1



102.2 Word Decals, Ground Control Side

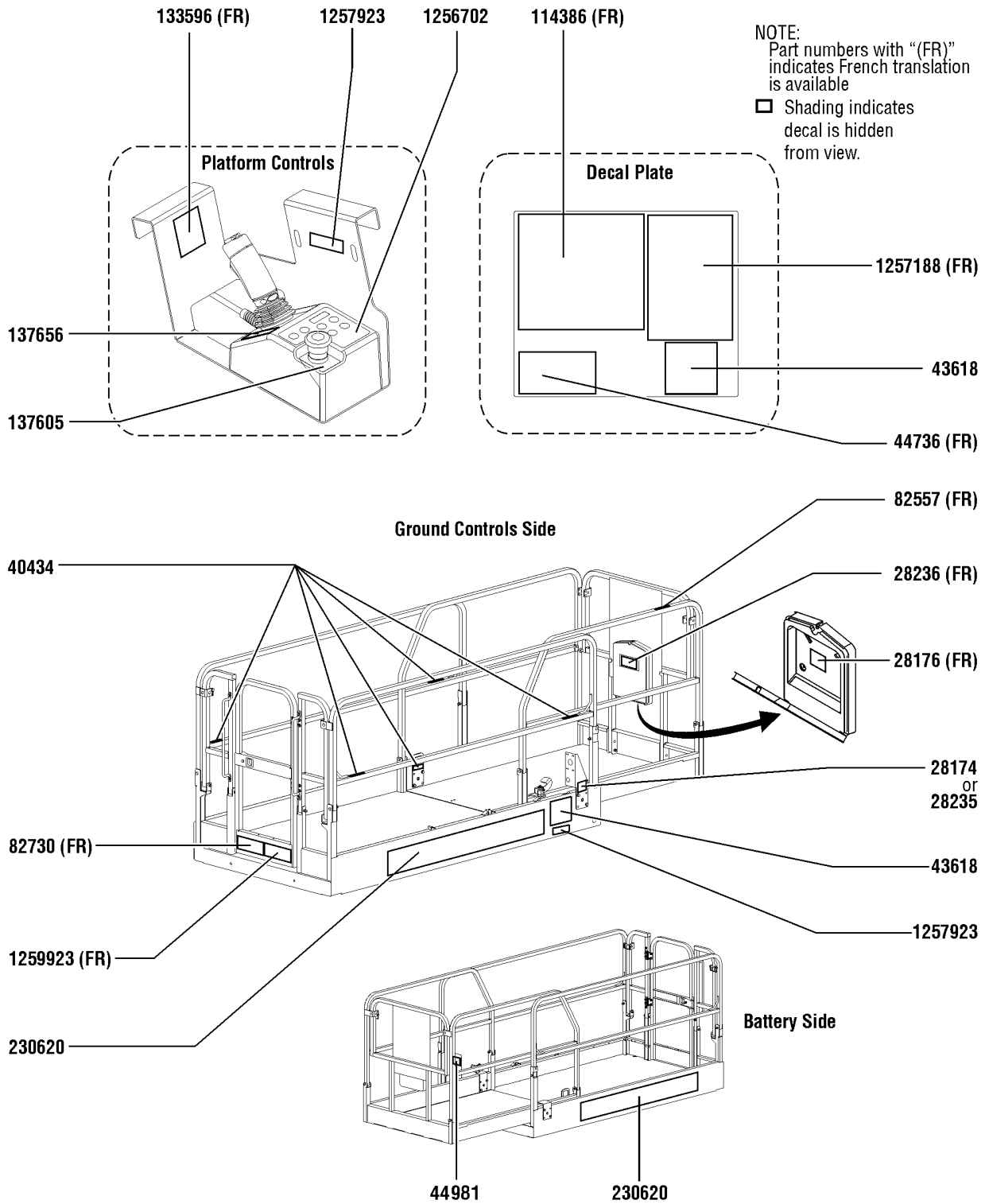




Item	Part No.	Description	Qty.
1	28174GT	DECAL, POWER TO PLATFORM 230V** Option, power to platform	1
2	28175GT	DECAL,WARNING-COMPART ACCESS	1
3	28235GT	DECAL, POWER TO PLATFORM 115V** Option, power to platform	1
4	31508GT	DECAL,DANGER,ELECT HAZARD,PLUG	1
5	43619GT	DECAL LABEL SAFETY ARM	1
6	43658GT	DECAL, LABEL, PWR TO CHARGER 230 EU Option, power to charger	1
7	44255GT	DECAL,DANGER,CRUSHING HAZARD	2
8	44737GT	DECAL,DANGER,TIP-OVER,TRAYS	1
9	44980GT	DECAL, LABEL, PWR TO CHARGER 115 UK Option, power to charger	1
10	44981GT	DECAL LABEL AIRLINE 110PSI Option, airline to platform	1
11	46287GT	DECAL,LABEL-TIRE SPECS	2
12	52475GT	DECAL LABEL TRANSPORT TIE DOWN*	3
13	72086GT	DECAL,LABEL,LIFTING EYE	1
14	72143GT	DECAL, EMERGENCY STOP, GR	1
15	72853GT	DECAL,DANGER,IMPROPER USE HAZ.	1
16	82366GT	DECAL,CHEVRON RANDO HD Option, hydraulic oil	1
17	82558GT	DECAL,SKIN INJECTION	1
18	82559GT	DECAL,INSTRUCT-ANNUAL INSP REQ	1
19	82561GT	DECAL,DANGER-USE SAFETY ARM	1
20	114385GT	DECAL,DANGER,ELEC HAZARD,GS	1
21	133276GT	DECAL,EMERGENCY LOWERING	1
22	230758GT	DECAL,LABEL,WHEEL LOAD,GS-4047	2
23	T107031GT	DECAL,OP INST,GCON	1
24	T112804GT	DECAL,GCON PANEL,GS	1
25	1265361GT	DECAL, BATTERY CHARGER INDICAT from SN GS47P-1639 to GS47P-2436	1
26	1278704GT	DECAL,CHARGE STATUS IND. from SN GS47P-2347	1
27	1280819GT	DECAL,WARNING,CANCER AND REPRODUCTIVE HARM, PROP 65 (US only ANSI from SN P-2748)	1



103.1 Word Decals, Platform

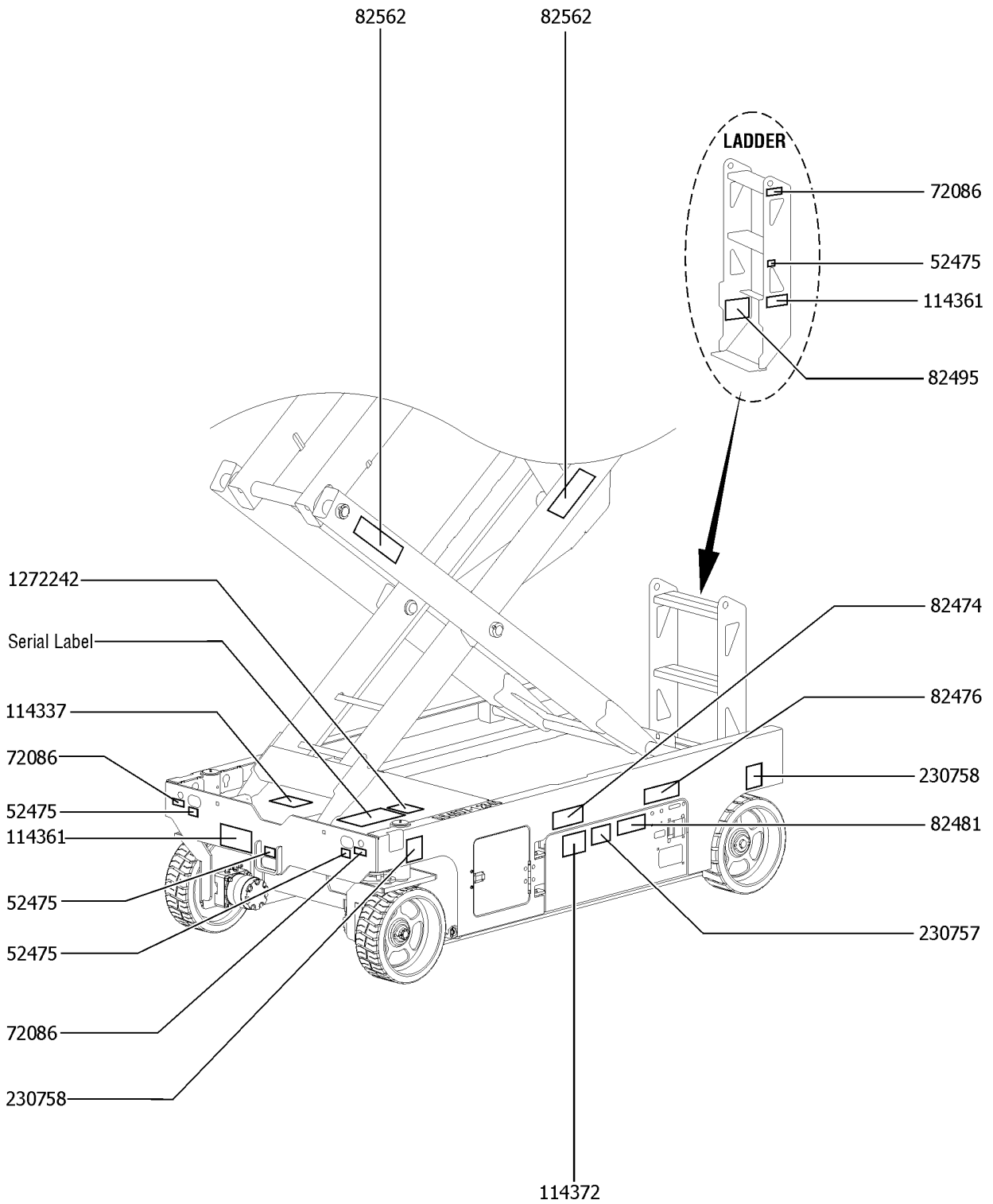


103.1 Word Decals, Platform

Item	Part No.	Description	Qty.
1	28174GT	DECAL, POWER TO PLATFORM 230V** Option, power to platform	1
2	28176GT	DECAL,LABEL,MANUAL NOT HERE	1
3	28235GT	DECAL, POWER TO PLATFORM 115V** Option, power to platform	1
4	28236GT	DECAL,WARN,IMPROPER OPERATION	1
5	40434GT	DECAL,LANYARD ANCHORAGE POINT	5
6	43618GT	DECAL, LABEL - DIRECTION ARROWS	2
7	44736GT	DECAL,DANGER,TIP-OVER,TILT	1
8	44981GT	DECAL LABEL AIRLINE 110PSI Option, airline to platform	1
9	82557GT	DECAL,LABEL,PLAT CONT LOCATION	1
10	82730GT	DECAL,INSTR-SIDE FRC,ANSI 3246	1
11	114386GT	DECAL,DANGER-GEN SAFETY	1
12	133596GT	DECAL,LABEL,FAULT CODES	1
13	137605GT	DECAL,E-STOP, GR/GRC/GS PCON	1
14	137656GT	DECAL, PROPEL, GR/GRC/GS, PCON	1
15	230620GT	DECAL,COSMETIC,GS-4047	2
16	1256702GT	DECAL, UI, GS/GR, PROP LIFT	1
17	1257188GT	DECAL,OP INST,PLAT,GS46 ANSI	1
18	1257923GT	DECAL, SMARTLINK PROPORTIONAL	2
19	1259923GT	DECAL,INSTR-MAX CAP, 4047	1



104.1 Symbol Decals, Battery Side

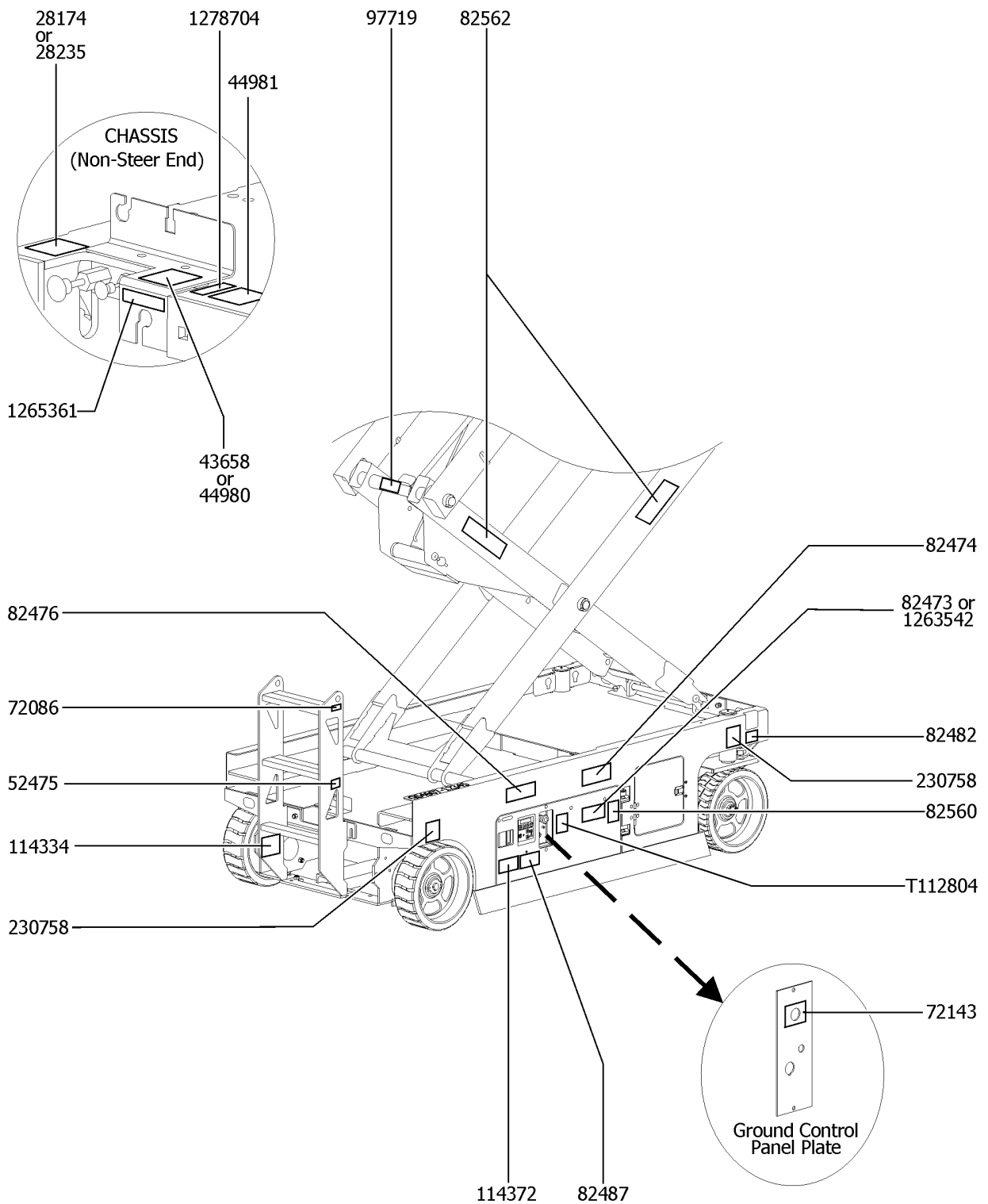


104.1 Symbol Decals, Battery Side

Item	Part No.	Description	Qty.
A	1261982GT	DECAL KIT, SYM, PLAT, ANSI ..... Decal kit, Platform (symbol)	
B	1261998GT	OPTION, SYM DECALS, ANSI, 4047 ..... Decal Kit, Complete (symbol)	
1	52475GT	DECAL LABEL TRANSPORT TIE DOWN* .....	4
2	72086GT	DECAL, LABEL, LIFTING EYE .....	3
3	82474GT	DECAL SYMBOL USE SAFETY ARM .....	1
4	82476GT	DECAL, SYMBOL-ELEC HAZARD, GS .....	1
5	82481GT	DECAL SYMBOL BATTERY SAFETY .....	1
6	82495GT	DECAL, LABEL, FORKLIFT POCKET .....	1
7	82562GT	DECAL, SYMBOL-CRUSHING HAZARD .....	2
8	114337GT	DECAL SYMBOL TIP OVER LIMIT SWITCH .....	1
9	114361GT	DECAL, SYM-TIP-OVER, LIM SWITCH .....	2
10	114372GT	DECAL SYMBOL TIP OVER TRAYS .....	1
11	230757GT	DECAL, SYM, TIPOVER, BATT, GS-4047 .....	1
12	230758GT	DECAL, LABEL, WHEEL LOAD, GS-4047 .....	2
13	1272242GT	DECAL, MACHINE REGISTRATION/OWNER TRANSFER .....	1



105.1 Symbol Decals, Ground Control Side

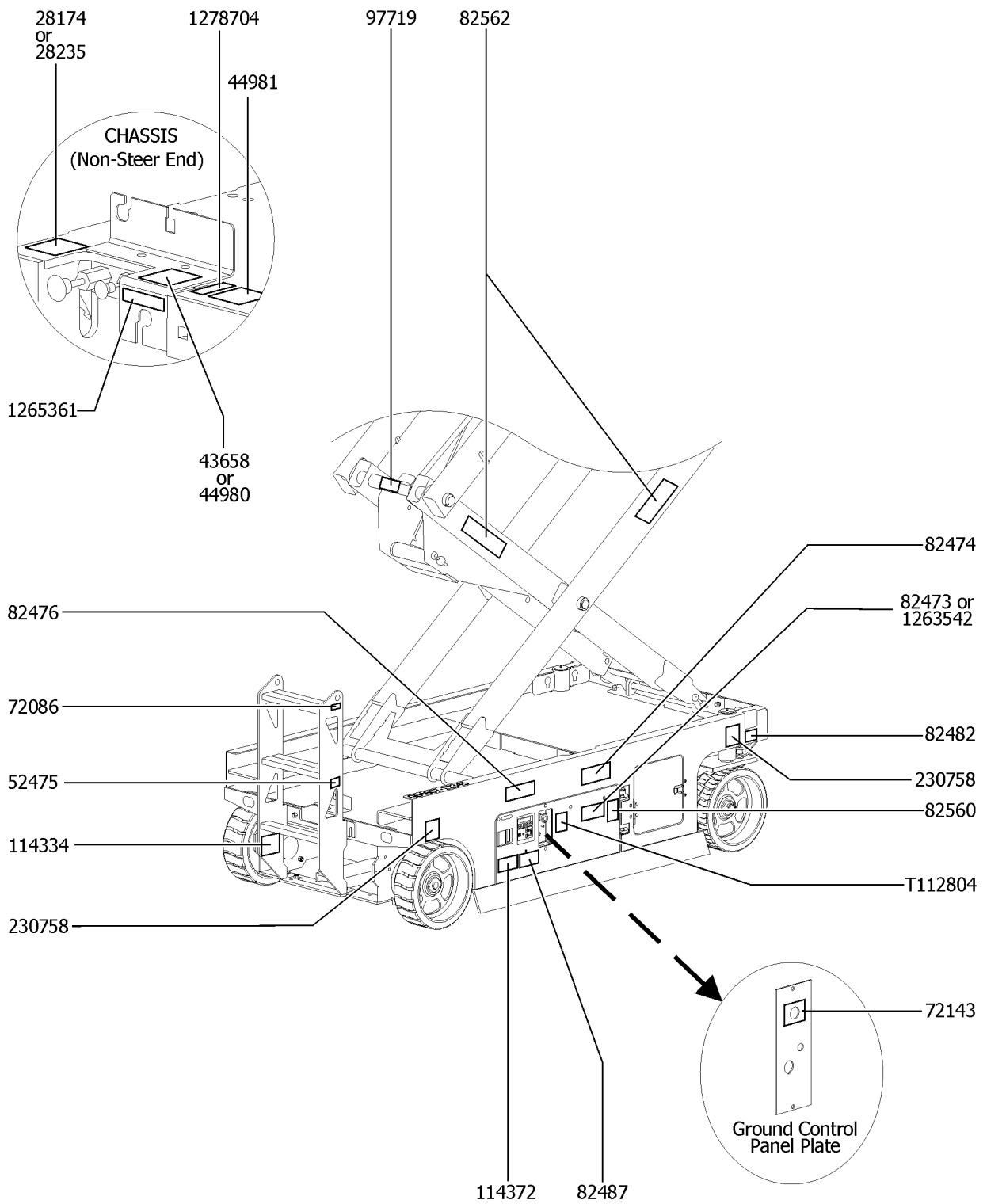


105.1 Symbol Decals, Ground Control Side

Item	Part No.	Description	Qty.
A		REF: GS-4047 Symbol Decal Kits ..... Ref to 104.1	
1	28174GT	DECAL, POWER TO PLATFORM 230V** ..... Option, power to platform	1
2	28235GT	DECAL, POWER TO PLATFORM 115V** ..... Option, power to platform	1
3	43658GT	DECAL, LABEL, PWR TO CHARGER 230 EU ..... Option, power to charger	1
4	44980GT	DECAL, LABEL, PWR TO CHARGER 115 UK ..... Option, power to charger	1
5	44981GT	DECAL LABEL AIRLINE 110PSI ..... Option, airline to platform	1
6	52475GT	DECAL LABEL TRANSPORT TIE DOWN* .....	1
7	72086GT	DECAL,LABEL,LIFTING EYE .....	1
8	72143GT	DECAL, EMERGENCY STOP, GR .....	1
9	82473GT	DECAL,SYMBOL-COMP ACCESS ..... to SN GS47P-1249	1
10	82474GT	DECAL SYMBOL USE SAFETY ARM .....	1
11	82476GT	DECAL,SYMBOL-ELEC HAZARD,GS .....	1
12	82482GT	DECAL,LABEL,AUX LOWERING .....	1
13	82487GT	DECAL,SYMBOL-READ THE MANUAL .....	1
14	82560GT	DECAL,SYMBOL-SKIN INJECT HAZRD .....	1
15	82562GT	DECAL,SYMBOL-CRUSHING HAZARD .....	2
16	97719GT	DECAL, LABEL, SAFETY ARM SYMBOL .....	1
17	114334GT	DECAL SYMBOL ELECTRIC HAZARD PLUG .....	1
18	114372GT	DECAL SYMBOL TIP OVER TRAYS .....	1
19	230758GT	DECAL,LABEL,WHEEL LOAD,GS-4047 .....	2
20	1263542GT	DECAL, COMPARTMENT ACCESS ..... from SN GS47P-1250	1
21	T112804GT	DECAL,GCON PANEL,GS .....	1



105.2 Symbol Decals, Ground Control Side



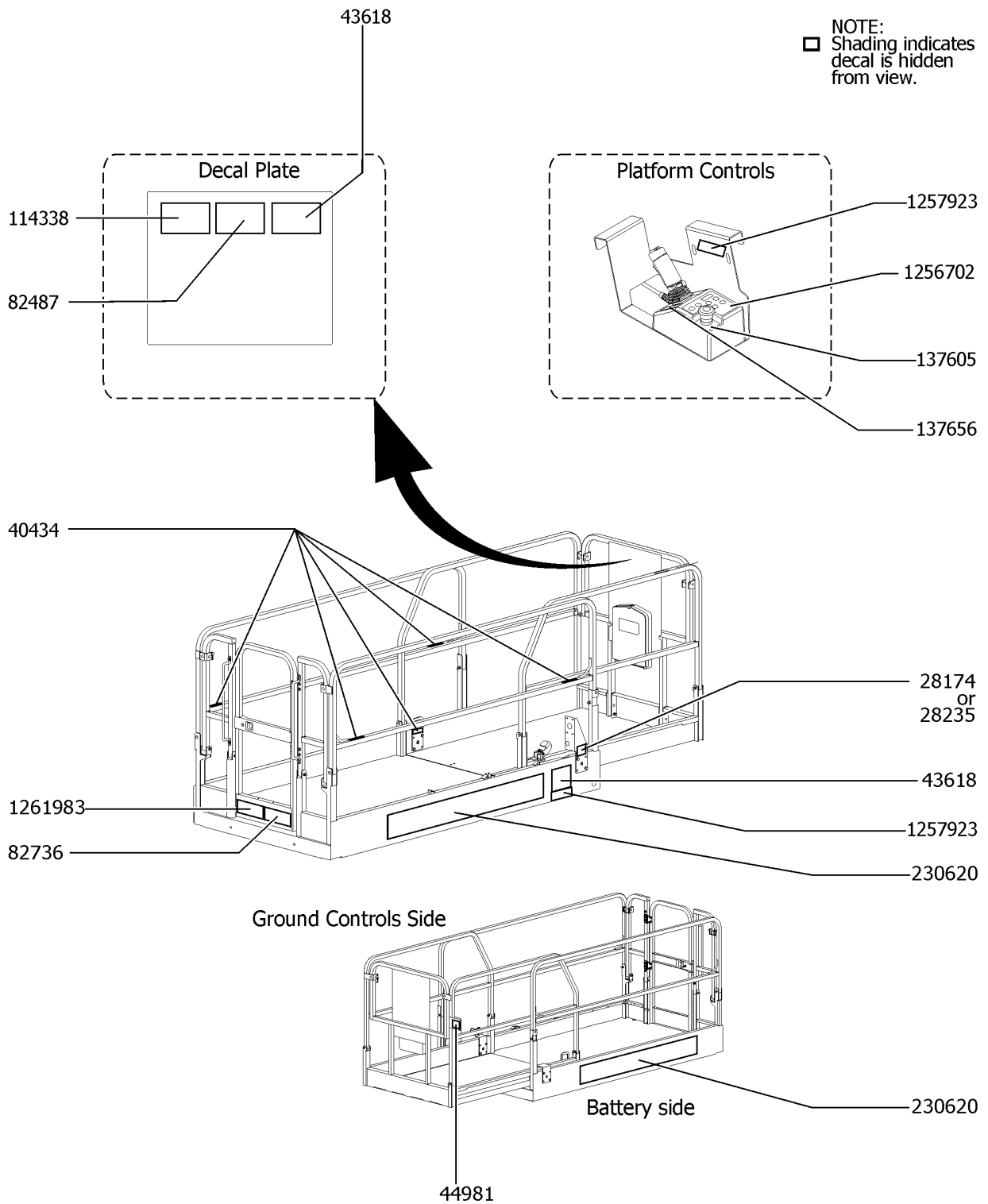


105.2 Symbol Decals, Ground Control Side

Item	Part No.	Description	Qty.
A		REF: GS-4047 Symbol Decal Kits ..... Ref to 104.1	
1	28174GT	DECAL, POWER TO PLATFORM 230V** ..... Option, power to platform	1
2	28235GT	DECAL, POWER TO PLATFORM 115V** ..... Option, power to platform	1
3	43658GT	DECAL, LABEL, PWR TO CHARGER 230 EU ..... Option, power to charger	1
4	44980GT	DECAL, LABEL, PWR TO CHARGER 115 UK ..... Option, power to charger	1
5	44981GT	DECAL LABEL AIRLINE 110PSI ..... Option, airline to platform	1
6	52475GT	DECAL LABEL TRANSPORT TIE DOWN* .....	1
7	72086GT	DECAL,LABEL,LIFTING EYE .....	1
8	72143GT	DECAL, EMERGENCY STOP, GR .....	1
9	82473GT	DECAL,SYMBOL-COMP ACCESS ..... to SN GS47P-1249	1
10	82474GT	DECAL SYMBOL USE SAFETY ARM .....	1
11	82476GT	DECAL,SYMBOL-ELEC HAZARD,GS .....	1
12	82482GT	DECAL,LABEL,AUX LOWERING .....	1
13	82487GT	DECAL,SYMBOL-READ THE MANUAL .....	1
14	82560GT	DECAL,SYMBOL-SKIN INJECT HAZRD .....	1
15	82562GT	DECAL,SYMBOL-CRUSHING HAZARD .....	2
16	97719GT	DECAL, LABEL, SAFETY ARM SYMBOL .....	1
17	114334GT	DECAL SYMBOL ELECTRIC HAZARD PLUG .....	1
18	114372GT	DECAL SYMBOL TIP OVER TRAYS .....	1
19	230758GT	DECAL,LABEL,WHEEL LOAD,GS-4047 .....	2
20	1263542GT	DECAL, COMPARTMENT ACCESS ..... from SN GS47P-1250	1
21	T112804GT	DECAL,GCON PANEL,GS .....	1
22	1265361GT	DECAL, BATTERY CHARGER INDICAT ..... from SN GS47P-1639 to GS47P-2436	1
23	1278704GT	DECAL CHARGE STATUS IND. .... from GS47P-2347	1



106.1 Symbol Decals, Platform

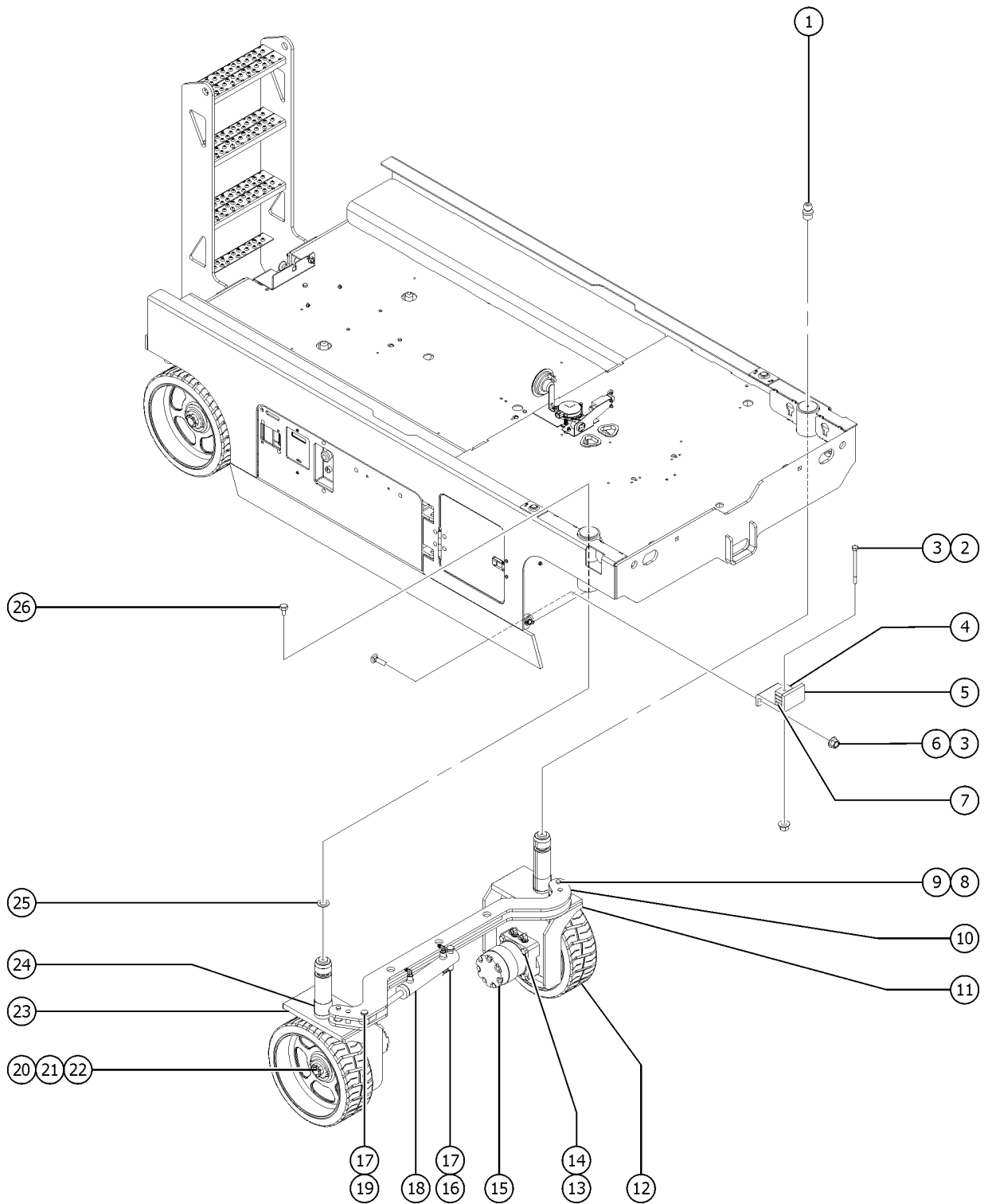


106.1 Symbol Decals, Platform

Item	Part No.	Description	Qty.
A		REF: GS-4047 Symbol Decal Kits ..... Ref to 104.1	
1	28174GT	DECAL, POWER TO PLATFORM 230V** ..... Option, power to platform	1
2	28235GT	DECAL, POWER TO PLATFORM 115V** ..... Option, power to platform	1
3	40434GT	DECAL,LANYARD ANCHORAGE POINT .....	5
4	43618GT	DECAL, LABEL - DIRECTION ARROWS .....	2
5	44981GT	DECAL LABEL AIRLINE 110PSI ..... Option, airline to platform	1
6	82487GT	DECAL,SYMBOL-READ THE MANUAL .....	1
7	82736GT	DECAL,SYM-SIDE FORCE .....	1
8	114338GT	DECAL,SYM-TIP-OVR,TILT ALARM .....	1
9	137605GT	DECAL,E-STOP, GR/GRC/GS PCON .....	1
10	137656GT	DECAL, PROPEL, GR/GRC/GS, PCON .....	2
11	230620GT	DECAL,COSMETIC,GS-4047 .....	2
12	1256702GT	DECAL, UI, GS/GR, PROP LIFT .....	2
13	1257923GT	DECAL, SMARTLINK PROPORTIONAL .....	2
14	1261983GT	DECAL,SYM,MAX CAP,4047,ANSI .....	1



201.1 Steer Linkage and Wheels

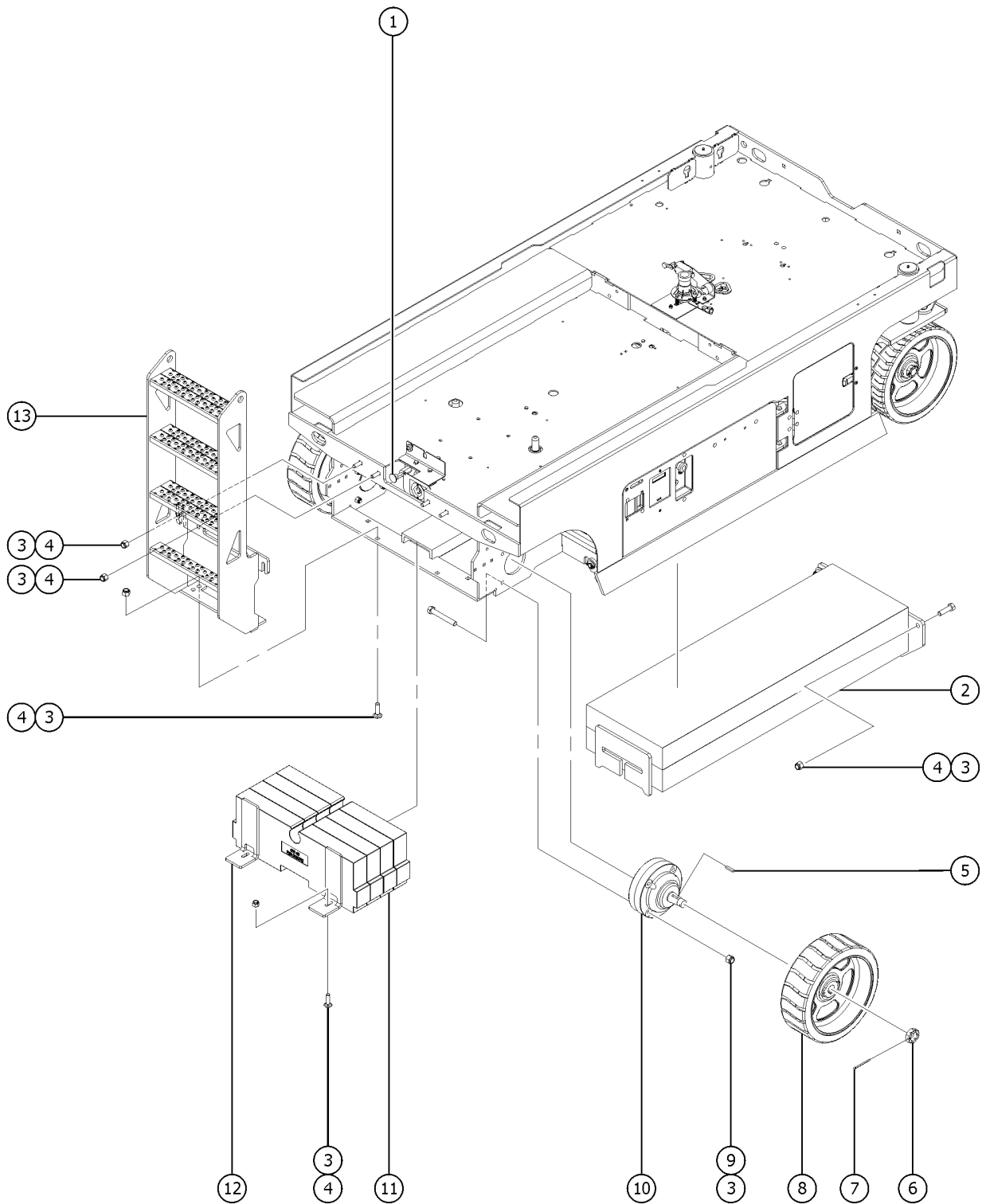


201.1 Steer Linkage and Wheels

Item	Part No.	Description	Qty.
1	66770GT	FITTING,STRAIGHT DRIVE-IN ZERK .....	2
2	1256123GT	SCREW,HHC,1/4-20X3.25,8,ZAG .....	1
3	824027GT	NUT, TL FLG, 1/4-20, G, ZAG .....	
4	78736GT	CLAMP,2 HOSE,PLASTIC .....	4
5	230364GT	FORMING,HOSE CLAMP SPT,PTD,BLU .....	1
6	824124GT	BOLT, CARRIAGE, 1/4-20 X .75, 5, ZAG .....	
7	58592GT	PLATE,HOSE ROUTG,BULKHEAD(PTD) .....	1
8	8255GT	SCREW,HHC,3/8-16 X .75 .....	
9	47946GT	BEARING,1.00IDX1.25ODX0.49L .....	2
10	97267GT	TIE ROD ASSY, GS46 (battery pack side) .....	1
10-	47946GT	BEARING,1.00IDX1.25ODX0.49L .....	4
10-	96574GT	WLDMT,TIE ROD,GS46 .....	1
11	96573GT	WLDMT,STEER YOKE,LT,GS32/46 (battery pack side) .....	1
12	105454GT	WHEEL & TIRE ASSY LP, 15" .....	2
13	1256287GT	SCREW,HHC,1/2-13X3.5,8,ZAG .....	
14	1251997GT	NUT,TL,FLG,1/2-13,G,ZAG .....	
15		Ref. Drive Motor .....	
		(refer to 501.1 )	
16	1259195GT	PIN,CLEVIS,3/4X3.25,ZAG .....	1
17	21253GT	CLIP, HAIR PIN, .125 X 2 .....	2
18		Ref. Steer Cylinder .....	
		(refer to 501.1 )	
19	1259193GT	PIN,CLEVIS,3/4X2,ZAG .....	1
20	44780GT	NUT,CASTLE,1.125-18 UNEF .....	2
21	13635-10GT	PIN,COTTER,.156 X 1.75 .....	2
22	44781GT	KEY,RECTANGULAR,.31X.28X1.25** .....	2
23	96572GT	WLDMT,STEER YOKE,RT,GS32/46 (ground controls side) .....	1
24	18722GT	BEARING,2.25IDX2.50ODX1.50L *** .....	2
25	824120GT	WASHER, FLAT, .375 X 1.50 X .125, ZAG .....	2
26	1256109GT	SCREW,HHC,3/8-16X.75,8,ZAG .....	



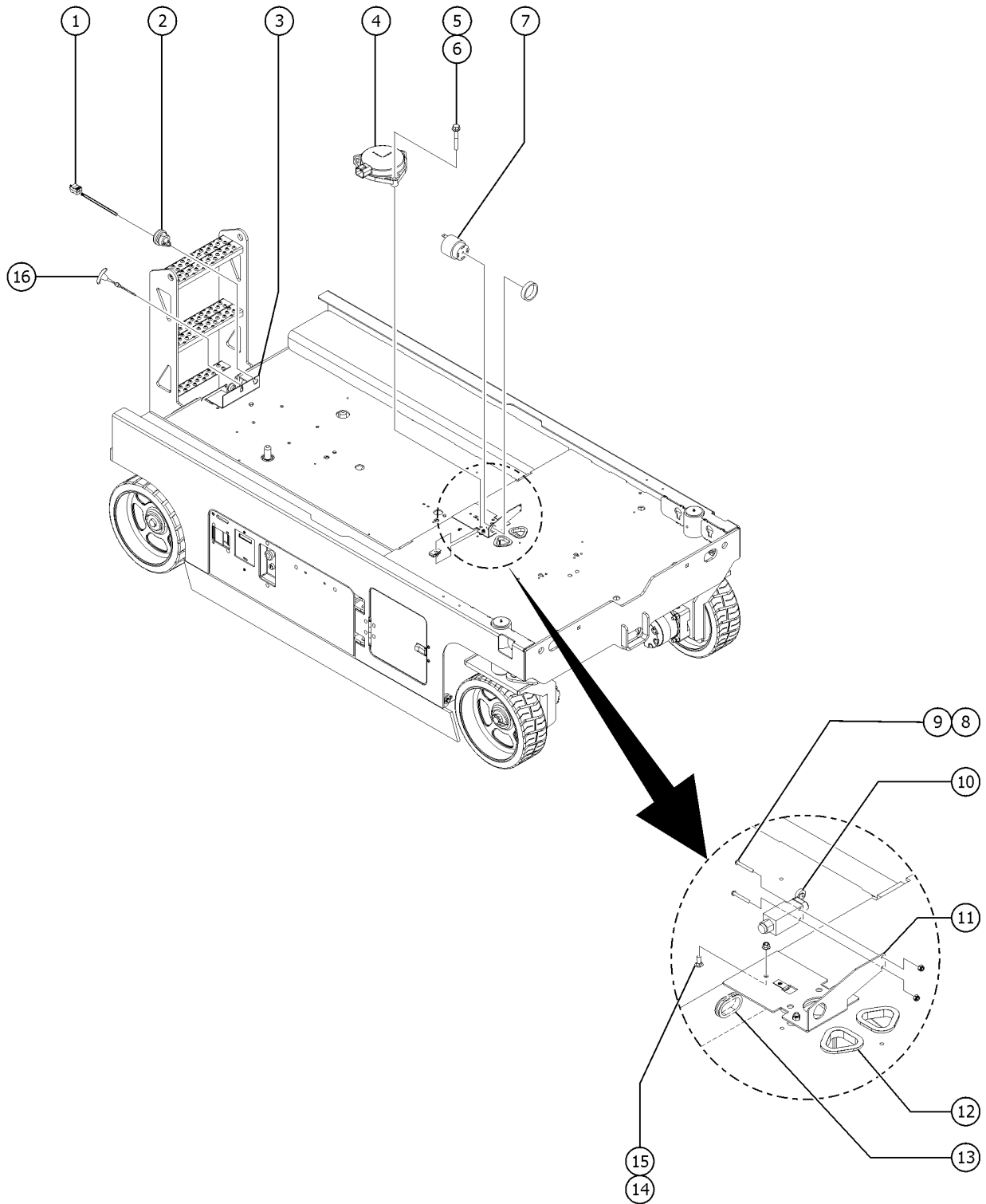
202.1 Non-Steer Axle Installation



Item	Part No.	Description	Qty.
1		REF: BRAKE RELEASE MANIFOLD ..... (refer to 503.1)	
2	96876GT	COUNTERWEIGHT, BELLY ..... inside front center of chassis)	1
3	1251997GT	NUT,TL,FLG,1/2-13,G,ZAG .....	
4	1256115GT	BOLT,CARRIAGE,1/2-13X1.75,5,ZAG .....	
5	44781GT	KEY,RECTANGULAR,.31X.28X1.25"* .....	2
6	44780GT	NUT,CASTLE,1.125-18 UNEF .....	2
7	42079GT	PIN,COTTER,.156 X 2.5 .....	2
8	105454GT	WHEEL & TIRE ASSY LP, 15" .....	2
9	1256287GT	SCREW,HHC,1/2-13X3.5,8,ZAG .....	4
10		REF: HYDRAULIC BRAKE ..... (refer to 501.1)	
11	96887GT	CWT, REAR, XX46 .....	1
12	1273381GT	FORMING, CWT CLAMP .....	1
13	1273371GT	WELDMENT,LADDER,GS4047 .....	1



203.1 Level Sensor Installation



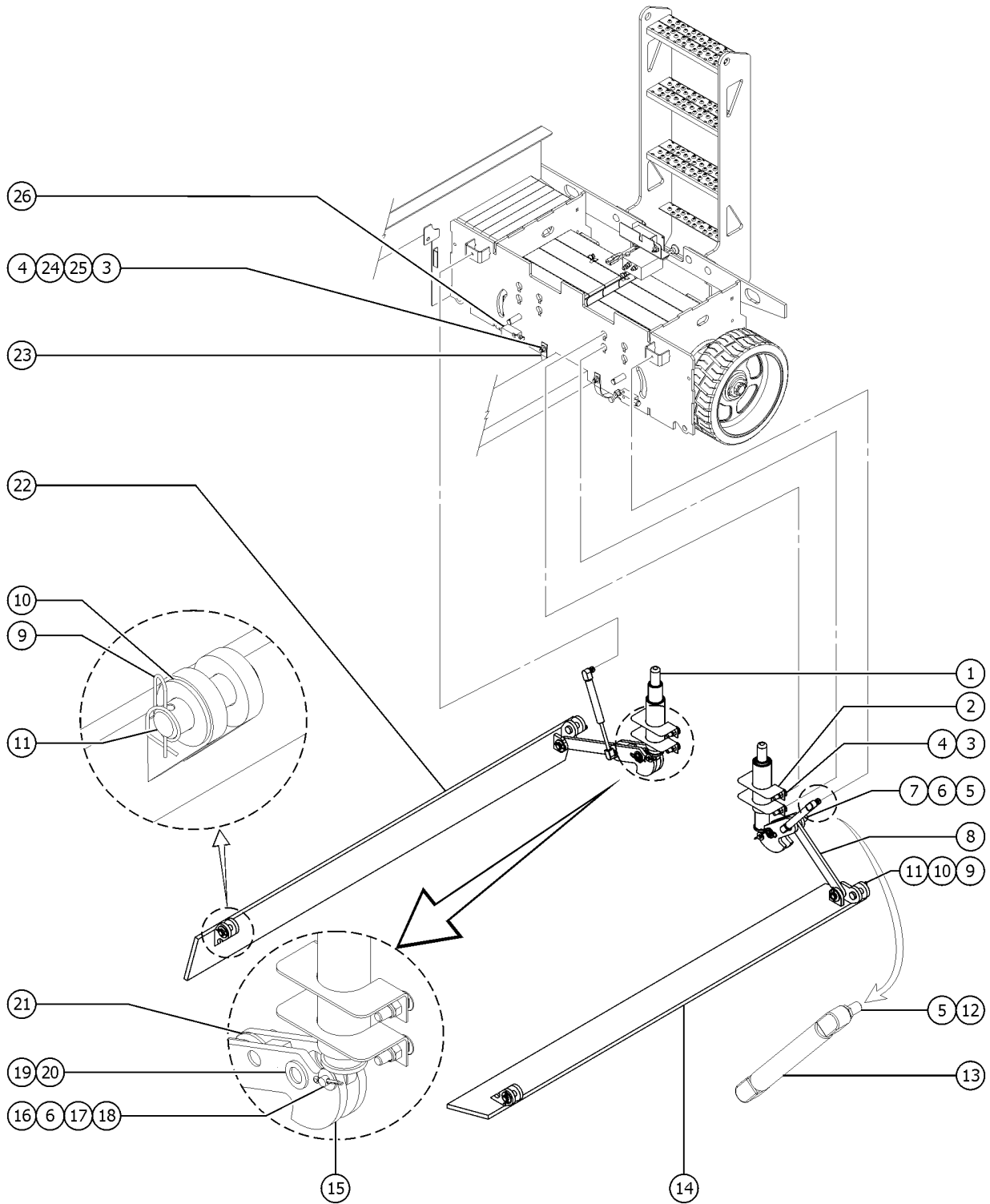


203.1 Level Sensor Installation

Item	Part No.	Description	Qty.
1		REF. Electrical Plugs and Cords ..... (refer to 402.1)	
2	128118GT	BUSHING,STRAIN RELIEF,.875/.40 .....	1
3	144226GT	FORMING, REC. PLUG BRKT .....	1
4	823368GT	SENSOR,LEVEL,UNIVERSAL .....	1
5	824079GT	SCREW,HHF,1/4-20X1,8,ZAG .....	3
6	56912GT	SPRING CLIP,1/4-20,.025-.15X.54,ZAG .....	3
7	39540GT	ALARM,STEADY TONE*** order 72326 mounting ring separately .....	1
7-	72326GT	NUT - PLASTIC,RING FOR ALARMS for 39540 .....	
8	51063GT	SCREW,PHILLIPS,RHM,10-32 X 1.5 .....	
9	6178GT	NUT, NYLOCK, 10-32 .....	
10	T112507GT	ASSEMBLY, DOWN LIMIT, GS (Includes plug) .....	1
10-	19491GT	CONTACTOR,LIMIT SWITCH .....	
10-	96948GT	SWITCH, LIMIT, W/ROLLER ARM*** .....	
10-	97128GT	ROLLER ARM,LIMIT SWITCH*** .....	
11	96870GT	FORMING,ALARM BRACKET .....	1
12	47232GT	GROMMET,RUBBER 2 X 2.75 .....	2
13	47238GT	GROMMET,RUBBER 1.5 ID .....	1
14	824124GT	BOLT, CARRIAGE, 1/4-20 X .75, 5, ZAG .....	
15	824027GT	NUT, TL FLG, 1/4-20, G, ZAG .....	
16	39232GT	CABLE,EMERGENCY DOWN .....	1



204.1 Pot Hole Protection Assembly

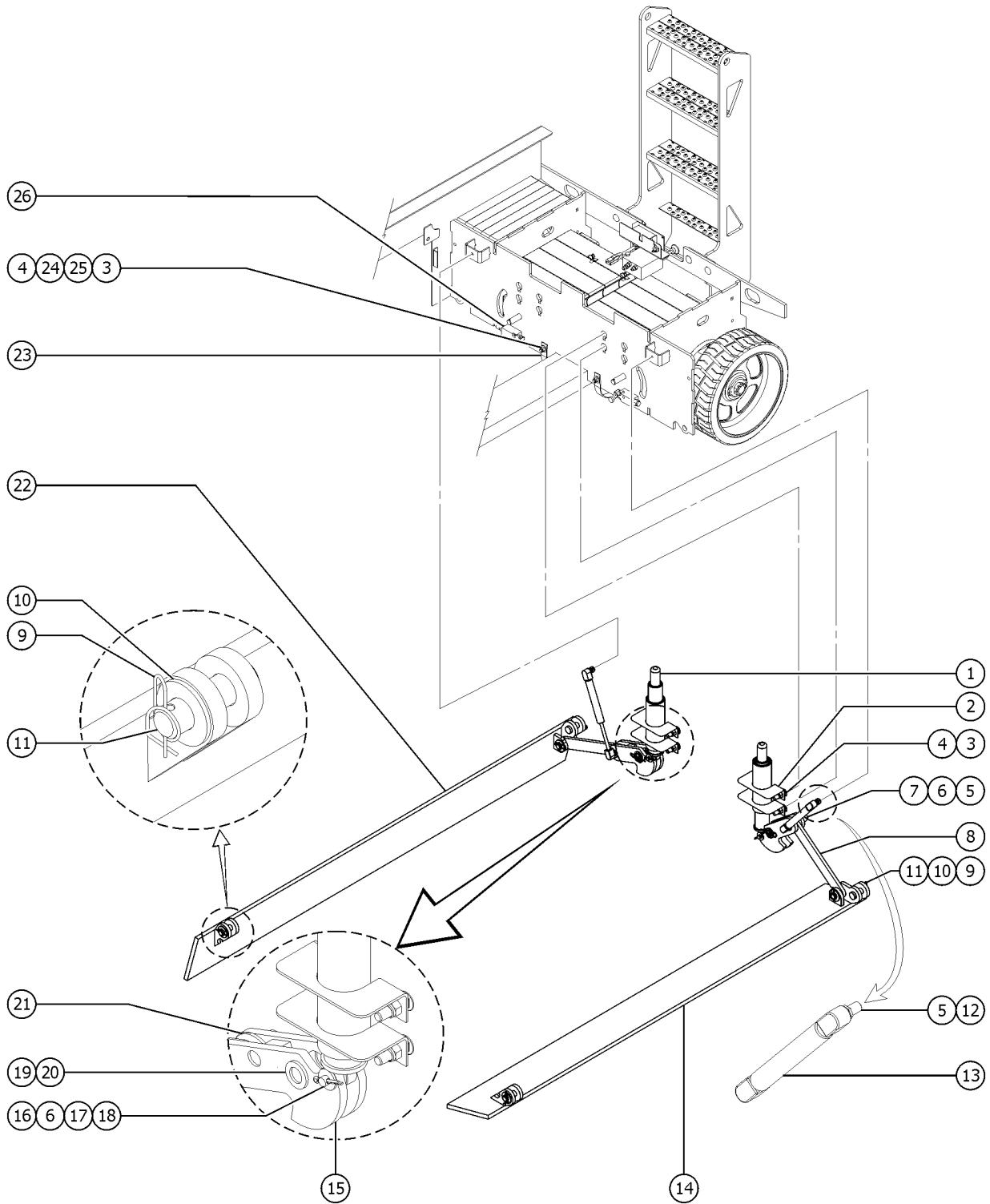


204.1 Pot Hole Protection Assembly

Item	Part No.	Description	Qty.
1	96839GT	ASSY,POT HOLE PUSHER,GS***	2
1-	25817GT	BEARING,1.00IDX1.25ODX1.00L	1
1-	96142GT	WLDMT, POT HOLE ACTUATOR	1
1-	96838GT	SPRING, POTHOLE PUSHER	1
1-	96840GT	PIN,PH ACTUATOR	1
2	105069GT	WLDMT/ASSY,PH GUIDE,GS46 (ground controls side)	2
2-	96408GT	BEARING,1.523IDX1.75ODX0.63L	
3	1255757GT	BOLT,CARRIAGE,3/8-16X1.25,5,ZAG	
4	824029GT	NUT,TL FLG,3/8-16,G,ZAG	
5	78086GT	BALL STUD, GAS STRUT, 3/8-16	
6	825358GT	WASHER,FLAT,5/16,USS,ZAG	
7	96643GT	PIN, POTHOLE LINK PIVOT	2
8	96637GT	PLATE,POTHOLE LINK	2
9	1259177GT	RUE RING,5/8,ZAG	
10	1259180GT	WASHER,SHIM,.625X1.188X.064,ZAG	
11	1259197GT	PIN,CLEVIS,.625X1.88,ZAG	4
11-	105156GT	BUSHING, FLNGD, .63 X .77 X .38 (sold seperately)	4
12	824038GT	NUT, TL JAM, 3/8-16, A, ZAG	
13	39542GT	GAS SHOCK, SCISSORS***	2
14	96639GT	WELDMENT, POTHOLE, LEFT SIDE (battery pack side)	1
15	84574GT	POTPLE BELL CRNK LINK ASSYGS30	2
15-	96281GT	PH BELLCRANK LINK	1
15-	96642GT	BEARING,.75ID X 1.00D X 1.38LG	1
16	12016GT	PIN, COTTER, .125 X .75	
17	1259178GT	PIN,CLEVIS,.375X1.75,ZAG	2
18	96541GT	CAM FOLLOWER, 1.125 X .375, DELRIN	2
19	1259686GT	WASHER,FLAT,.765X1.312X.093,ZA	
20	55355GT	SPACER,.75ID X 1.50D X 1/4THK	



204.1 Pot Hole Protection Assembly

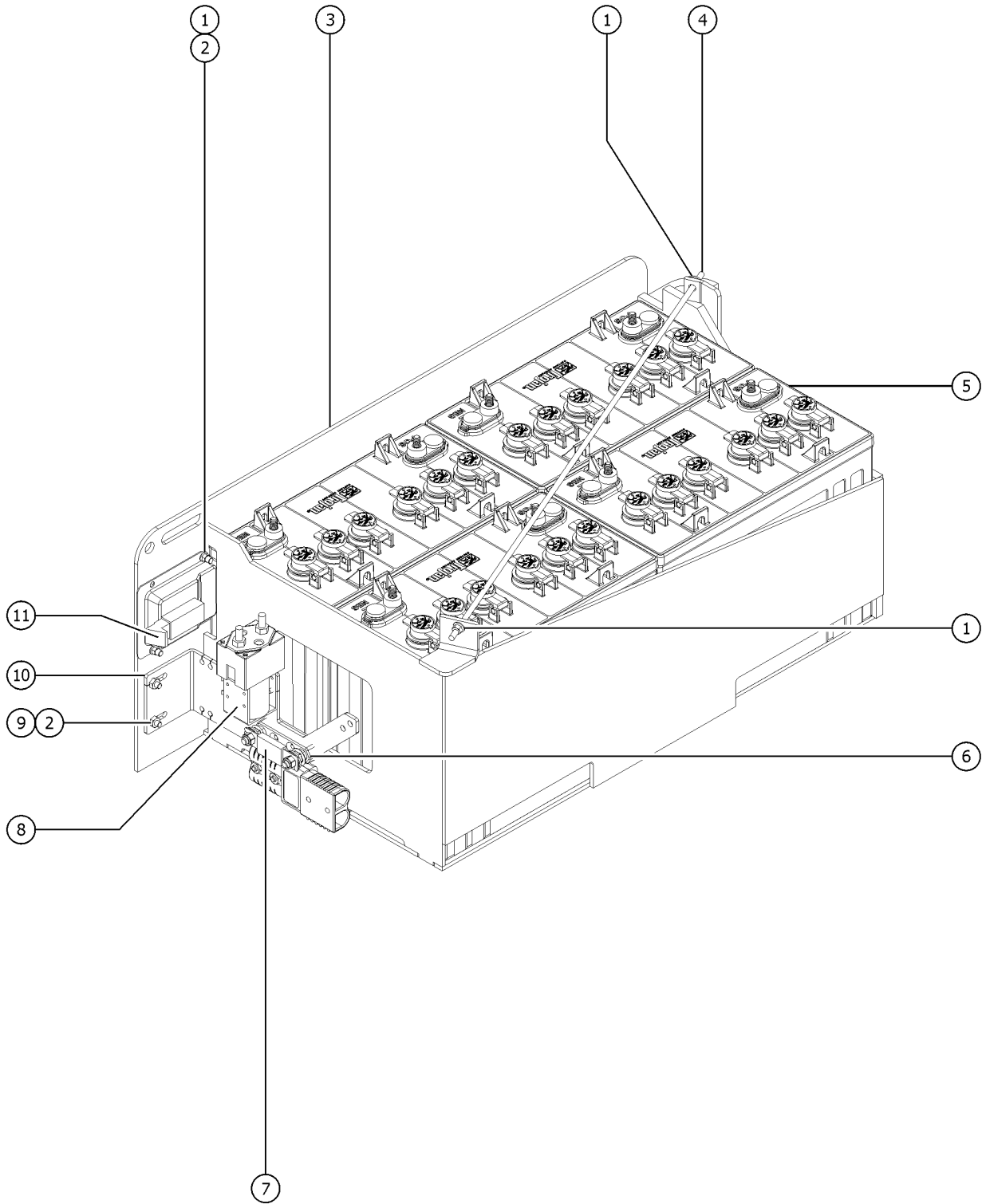


204.1 Pot Hole Protection Assembly

<i>Item</i>	<i>Part No.</i>	<i>Description</i>	<i>Qty.</i>
21	96085GT	WASHER, THRUST, .63 X 1.13 X .06 .....	
22	96638GT	WELDMENT, POTHOLE, RIGHT SIDE .....	1
		(ground controls side)	
23	105060GT	GROUND STRAP, 8"LG .....	2
24	6700GT	WASHER, STAR, EXTERNAL, .375 .....	
25	1255758GT	WASHER, FLAT, 3/8, USS, ZAG .....	
26	96948GT	SWITCH, LIMIT, W/ROLLER ARM*** .....	2
26-	1256177GT	SCREW, PHPM, 10-32X1.75, ZAG .....	4
26-	1274168GT	NUT, NYLOCK, 10-32, A, ZAG .....	4
26-	19491GT	CONTACTOR, LIMIT SWITCH .....	
26-	97128GT	ROLLER ARM, LIMIT SWITCH*** .....	



205.1 Battery Pack Tray

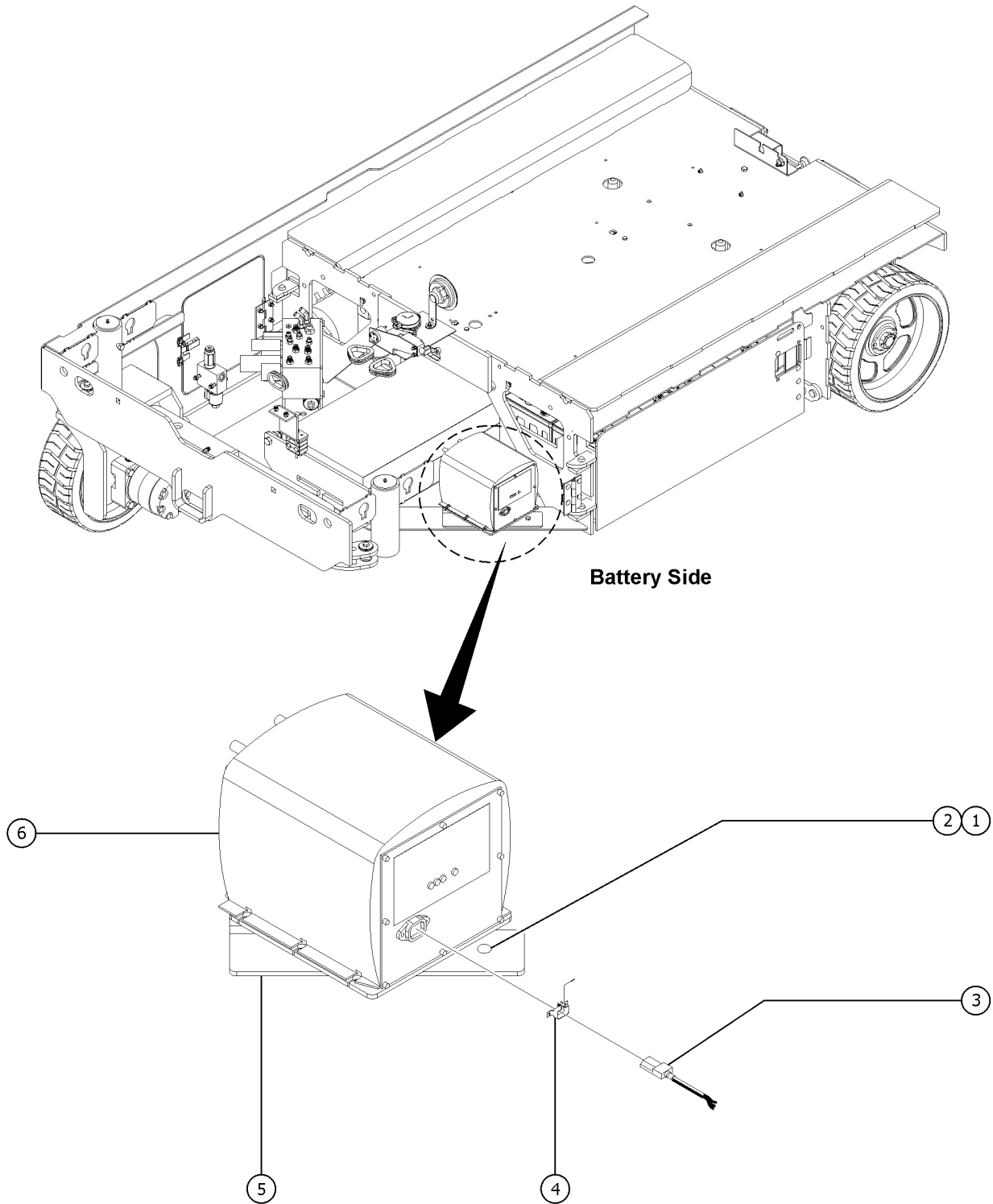


205.1 Battery Pack Tray

Item	Part No.	Description	Qty.
1	824027GT	NUT, TL FLG, 1/4-20, G, ZAG .....	6
2	824124GT	BOLT, CARRIAGE, 1/4-20 X .75, 5, ZAG .....	4
3	1273373GT	WLDMNT,GS4047 BATTERY TRAY .....	1
4	237165GT	THREADED ROD,1/4-20,28.5" (air hose sold seperately) .....	1
4-	75631GT	HOSE,AIR 3/8 .....	27
5	T113971GT	BATTERY,12V,150AH, T1275 .....	4
6	66717GT	FUSE BLOCK, ANN & ANL FUSE (includes mounting fasteners) .....	1
7	40833GT	FUSE, 275AMP, VERY FAST ACTING .....	1
8	1270456GT	CONTACTOR,DRIVE,24V,180A .....	1
9	1256679GT	NUT,SERRATED,1/4-20,8,ZAG .....	2
10	1273388GT	FORMING, FUSE BRACKET .....	1
11	55675GT	LATCH, LRG PADDLE HANDLE GS90 .....	1



206.1 Battery Charger (to SN 2645)



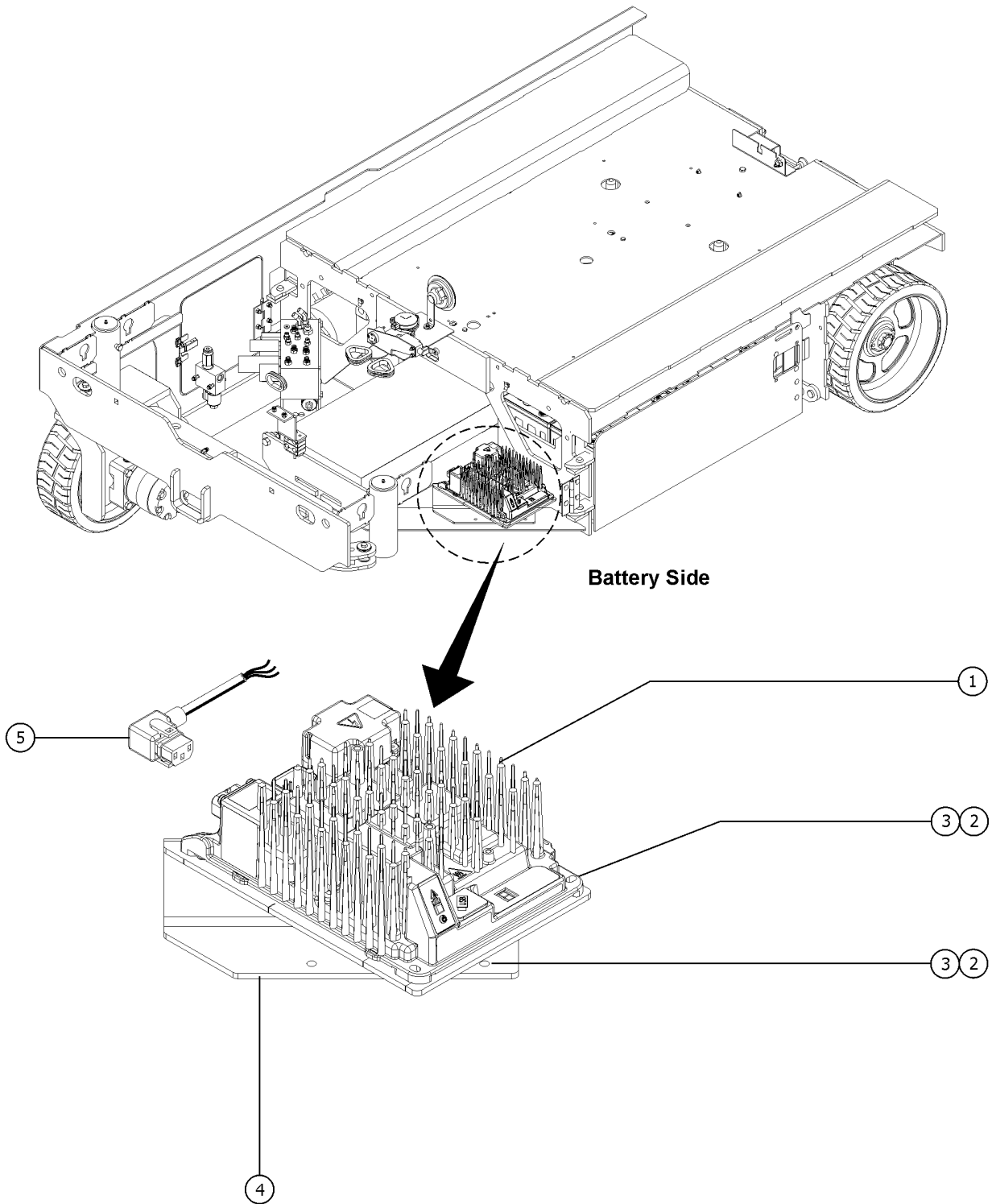


206.1 Battery Charger (to SN 2645)

Item	Part No.	Description	Qty.
A		REF. Side Door (refer to 208.1 Ground Controls)	
B		REF. Field Assembly Recessed Charger Plug (refer to 402.1 Power to Platform)	
C	105334GT	CONNECTOR, IEC CHARGER CORD for 5-LED battery charger	
D	219611GT	KIT,BATTERY CHARGER,24V (includes item 6) (includes fasteners, ring terminals and instructions for field installation)	1
1	824124GT	BOLT, CARRIAGE, 1/4-20 X .75, 5, ZAG	2
2	1256679GT	NUT,SERRATED,1/4-20,8,ZAG	2
3	144130GT	POWER CORD, IEC 320, 115" (to SN 2645)	1
4	55010GT	LOCK, CONNECTOR (includes fasteners) (to SN 2645)	1
5	1273382GT	FORMING,CHARGER MOUNT (shown) (to SN 2645)	1
6	229604GT	CHARGER,24VDC,HI/LOW,GEN2,25A (shown) (to SN 2645)	1
6-	215543GT	MANUAL, OWNERS, CHARGER, 229604	



206.2 Battery Charger (from SN 2646)

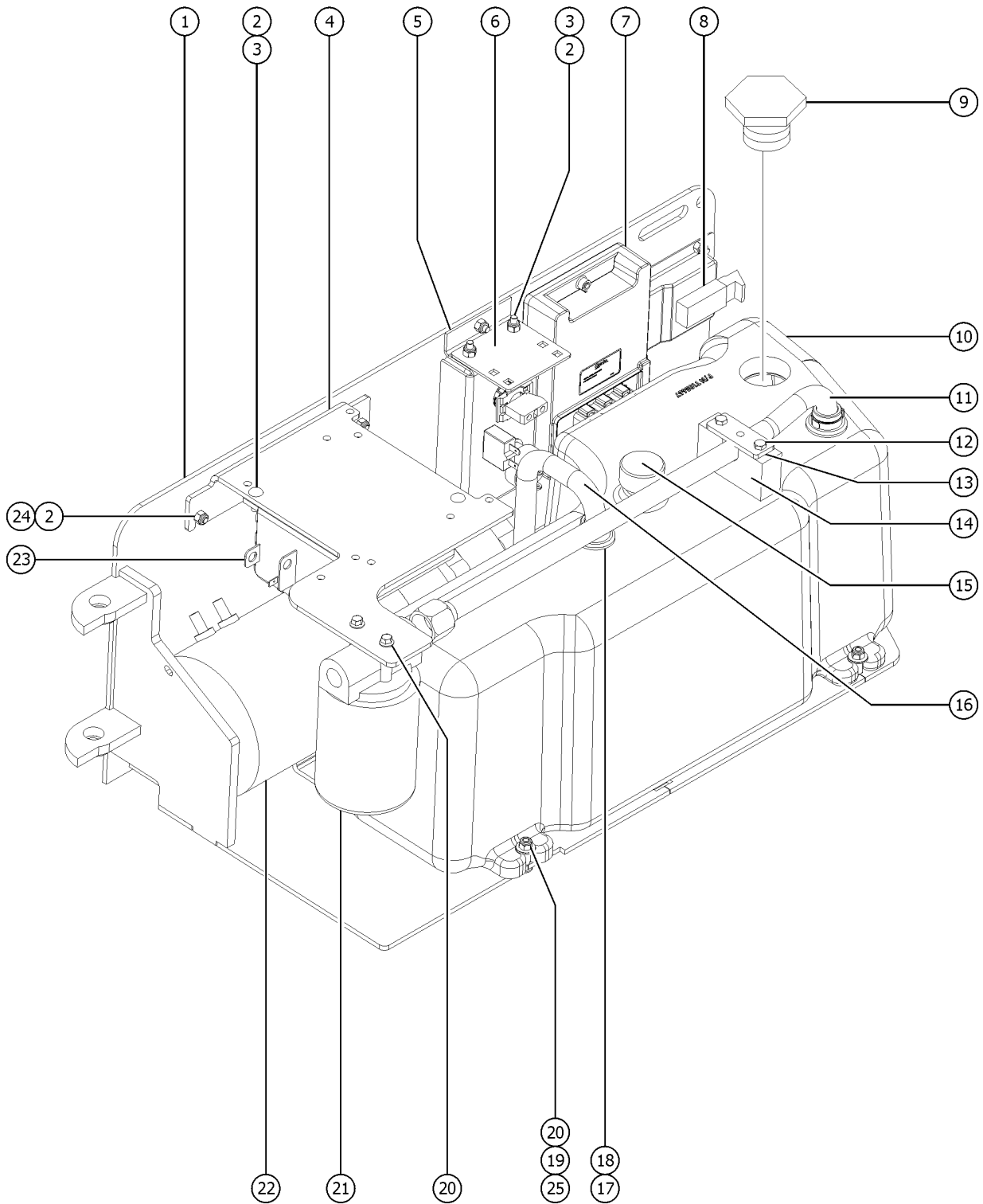


206.2 Battery Charger (from SN 2646)

Item	Part No.	Description	Qty.
A		REF. Side Door (refer to 208.1 Ground Controls)	
1	1264372GT	CHARGER, 24V, 650W, USB (from SN 2646)	
1-		CABLE ASSY, CHARGER/BATTERY, 4047 (refer to 209.1) (for 1264372)	
1-		ASSEMBLY, CHARGER STATUS LED, 2V (refer to 209.1) (for 1264372)	
1-		HARNES, LED CHARGER, GS46 (refer to 209.1) (for 1264372)	
2	824027GT	NUT, TL FLG, 1/4-20, G, ZAG	
3	1256127GT	BOLT, CARRIAGE, 1/4-20X1", GR 5, ZAG	
4	1278664GT	FORMING, CHARGER MOUNT, 4047 (from SN 2646)	
5	1272557GT	POWER CORD, IEC 320, 90° (from SN 2646)	



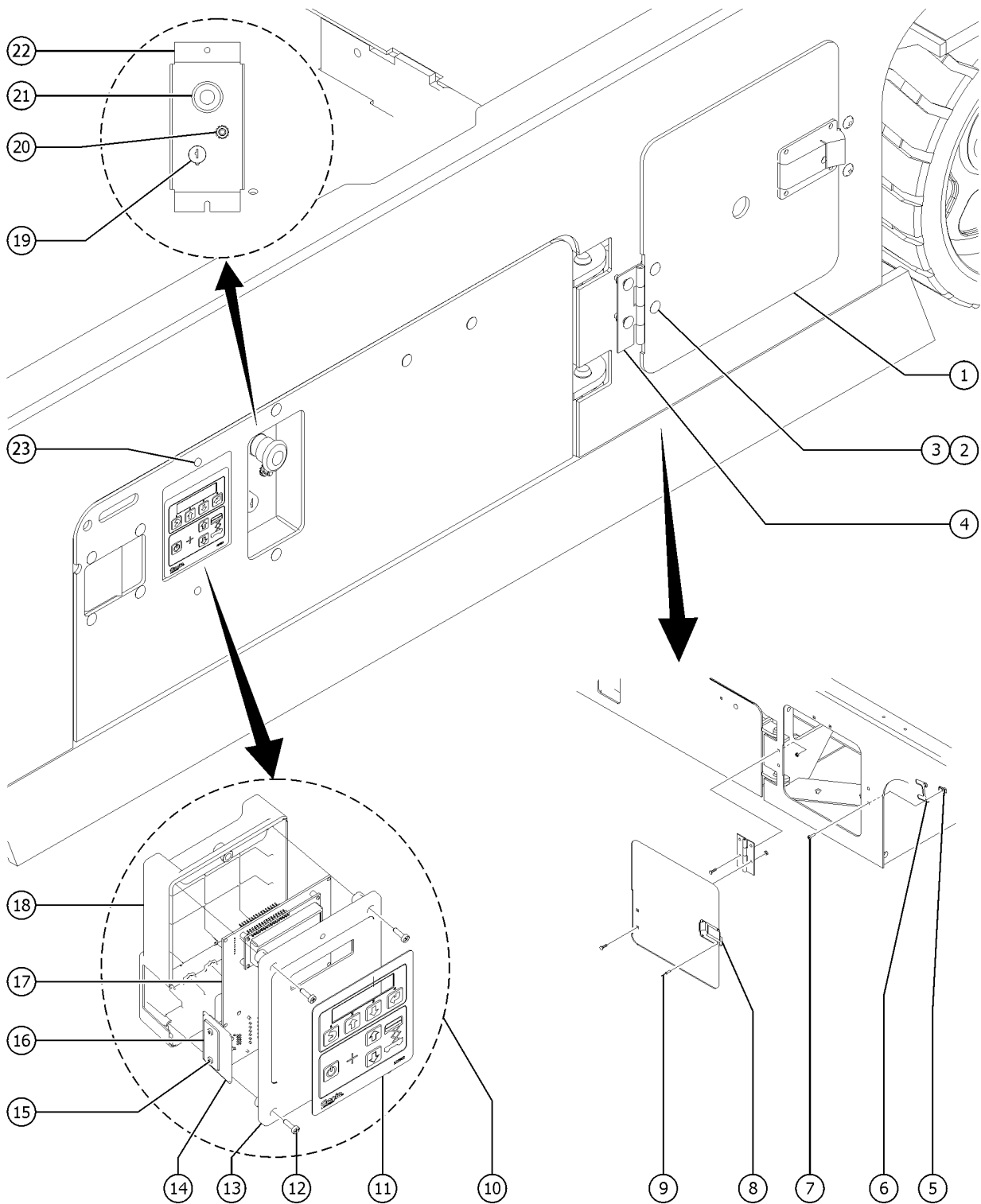
207.1 Power Unit Module



Item	Part No.	Description	Qty.
1	T113296GT	WELDMENT,GS HYD TRAY (decals not included, refer to section one)	1
2	824124GT	BOLT, CARRIAGE, 1/4-20 X .75, 5, ZAG	
3	824027GT	NUT, TL FLG, 1/4-20, G, ZAG	1
4	1273379GT	FORMING,FILTER-CNTRLR MOUNT	1
5		REF. FORMING CONTROL PANEL (refer to figure 208.1)	
6	T108326GT	PLATE,HARNESS MOUNT	1
7		REF. GCON (refer to figure 208.1)	
8	55675GT	LATCH, LRG PADDLE HANDLE GS90	1
9	66204GT	FILTER CAP (PLUG 1-1/2" NPT HEX	1
10	T108667GT	TANK,HYDRAULIC,6.5 GAL	1
11	228339GT	ASSEMBLY,TANK RETURN,TUBE	1
12	1256454GT	SCREW,HHC,M6-1.0X55,DIN931,10.9,ZAB	2
13	1273380GT	PLATE,CLAMP	1
14	228361GT	CLAMP, RETURN LINE	1
15	78546GT	BREATHER CAP, HYD. TANK, 1/4 NPT	1
16	96354GT	TUBE, ASSY, DRAW	1
17	96855GT	CLAMP,HOSE,1 EAR,1-1/16***	2
18	96709GT	GROMMET,SLAB HYD TANK***	2
19	96699GT	SLEEVE,TANK SUPPORT	
20	824078GT	SCREW,HHF,1/4-20X.75,8,ZAG	
21		REF. FILTER ASSY (refer to figure 501.1)	
22		REF. ELECTRIC MOTOR/PUMP (refer to figure 504.1)	
23	1257840GT	MOTOR CONTROLLER,DC,24V,360A	1
24	1256679GT	NUT,SERRATED,1/4-20,8,ZAG	2
25	6091GT	NUT, NYLOCK, 1/4-20	3



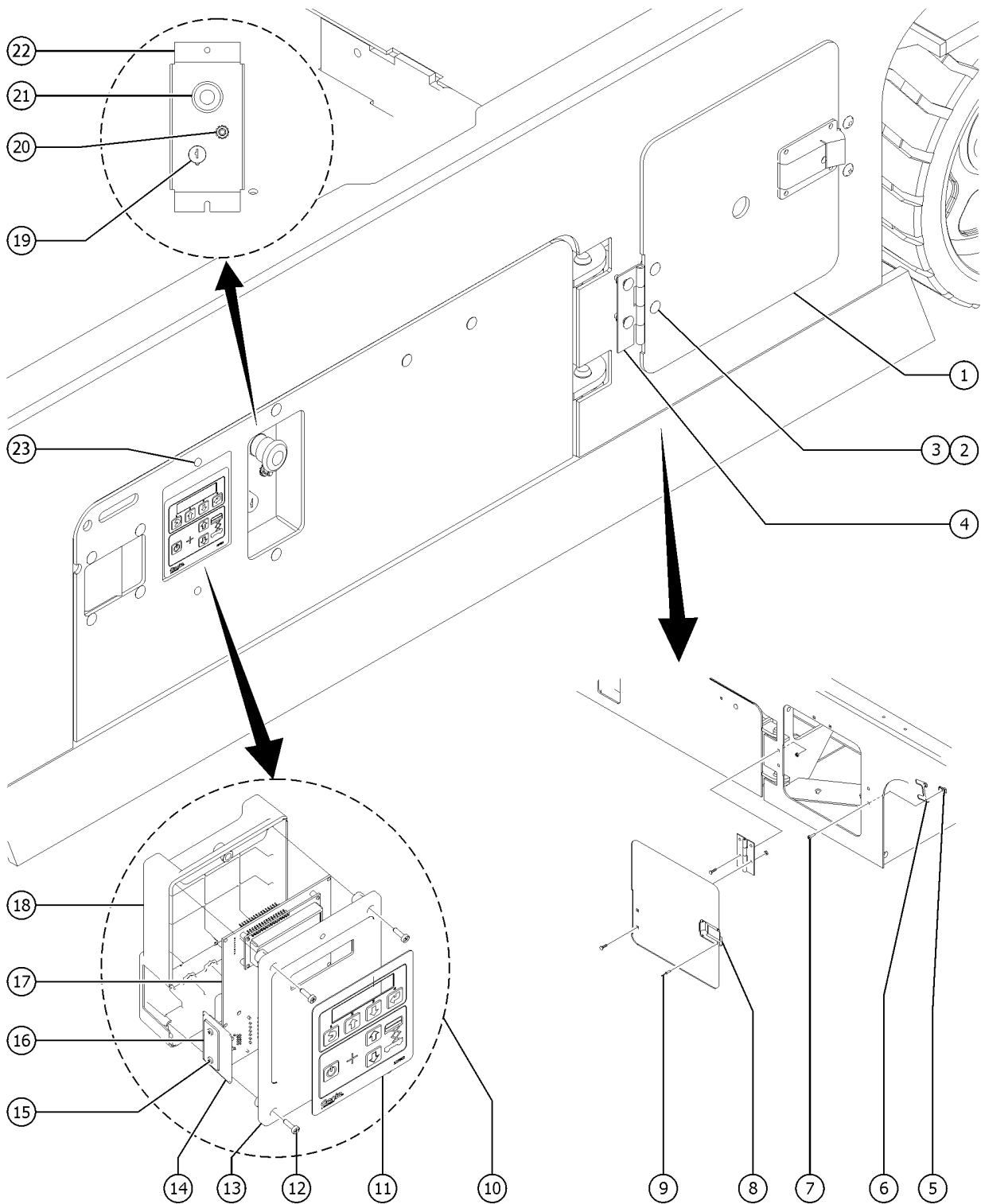
208.1 Ground Controls



Item	Part No.	Description	Qty.
1	105732GT	PLATE,SIDE DOOR***	1
2	824124GT	BOLT, CARRIAGE, 1/4-20 X .75, 5, ZAG	4
3	824027GT	NUT, TL FLG, 1/4-20, G, ZAG	4
4	105734GT	HINGE,ACCESS DOOR(13G)	1
5	56912GT	SPRING CLIP,1/4-20,.025-.15X.54,ZAG	2
6	105733GT	PLATE,SIDE DOOR STOP***	1
7	1260984GT	SCREW,PHPM,1/4-20X.75,ZAG	2
8	105759GT	LATCH,COMPRESSION,SMALL	1
9	6272GT	RIVET,STL,STL,P,.125 X .25	4
10	1256721GT	GCON,STD,PROP LIFT (models with 4 button, proportional controller)	1
11	137562GT	DECAL,MEMBRANE, GR/GRC/GS GCON	1
12	137668GT	SCREW,PHM,6-19X.75, 48-2 TRI-L	4
13	T106366GT	ENCLOSURE,GC27-25/GC21-19,FRNT	1
14	T106363GT	ADAPTER, RJ45, GC27-25/GC21-19	1
15	137637GT	SCREW,PHM,4-20X.5, 48-2 TRI-L	2
16	T106362GT	COVER, RJ45, GC27-25/GC21-19	1
17	1256719GT	PCBA,GCON STD,PROP LIFT (models with 4 button, proportional controller)	1
18	T106372GT	ENCLOSURE, GC21-19, BK	1
19	96008-SGT	KEYSWITCH,3 POS. W/KEYS***	1
19-	37947GT	KEYS,10 PACK***	
19-	83093GT	KEY SINGLE***	
19-	85239GT	RETAINER NUT (96008)***	
19-	96010GT	SCREW,PHILLIPS,PHM,8-32 X.25**	
20	96452GT	CIRCUIT BREAKER, 7.0 AMP***	1
20-	122994GT	NICKEL PLATED JAM NUT	
20-	6700GT	WASHER,STAR,EXTERNAL,.375	
21	66812GT	BUTTON,PUSH,RED MUSHROOM HEAD	1
21-	58627GT	NUT	



208.1 Ground Controls



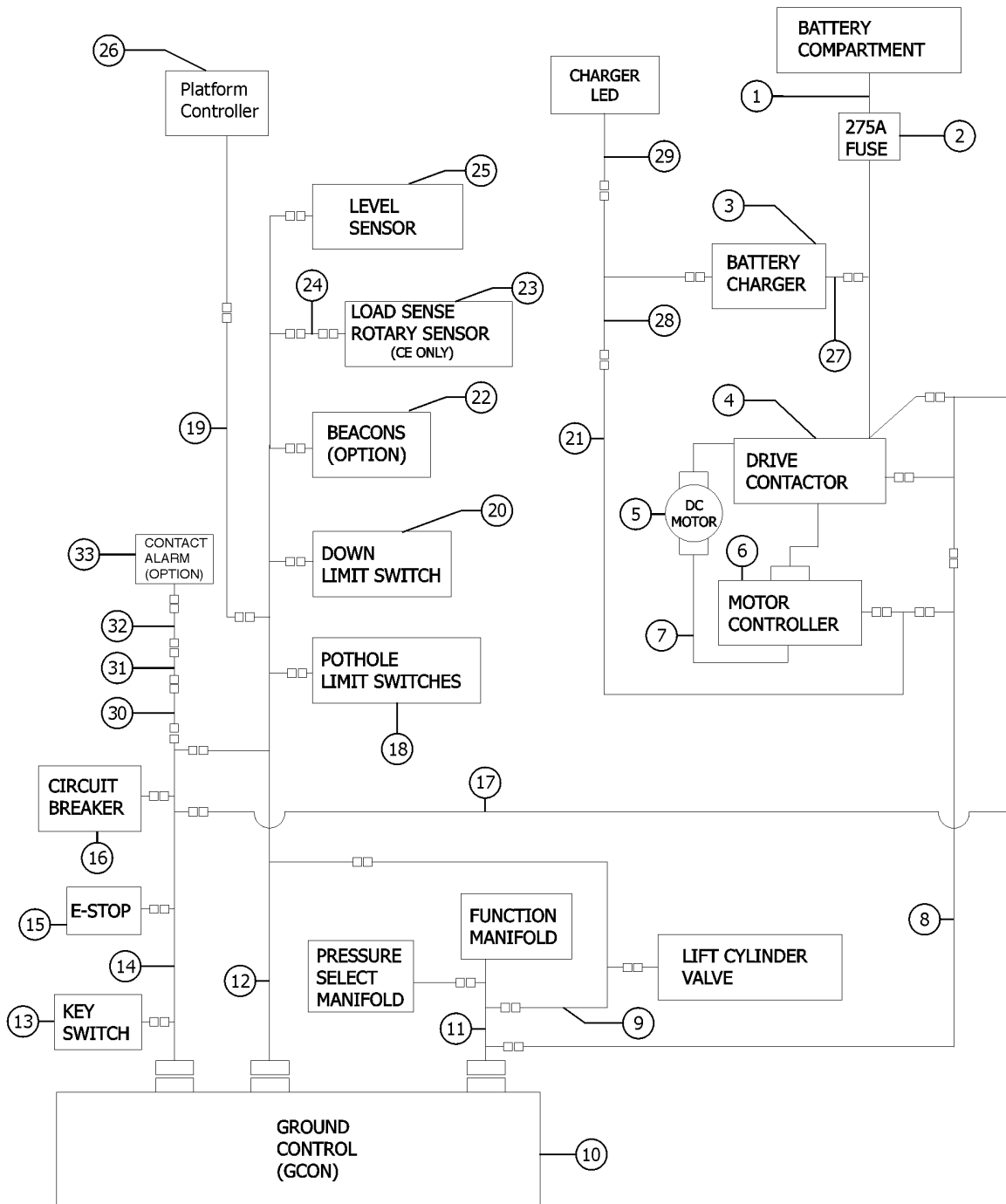


208.1 Ground Controls

<i>Item</i>	<i>Part No.</i>	<i>Description</i>	<i>Qty.</i>
21-	66817GT	E-STOP W/ NC CONTACT .....	
22	T108327GT	FORMING,CONTROL PANEL .....	1
23	51063GT	SCREW,PHILLIPS,RHM,10-32 X 1.5 .....	2



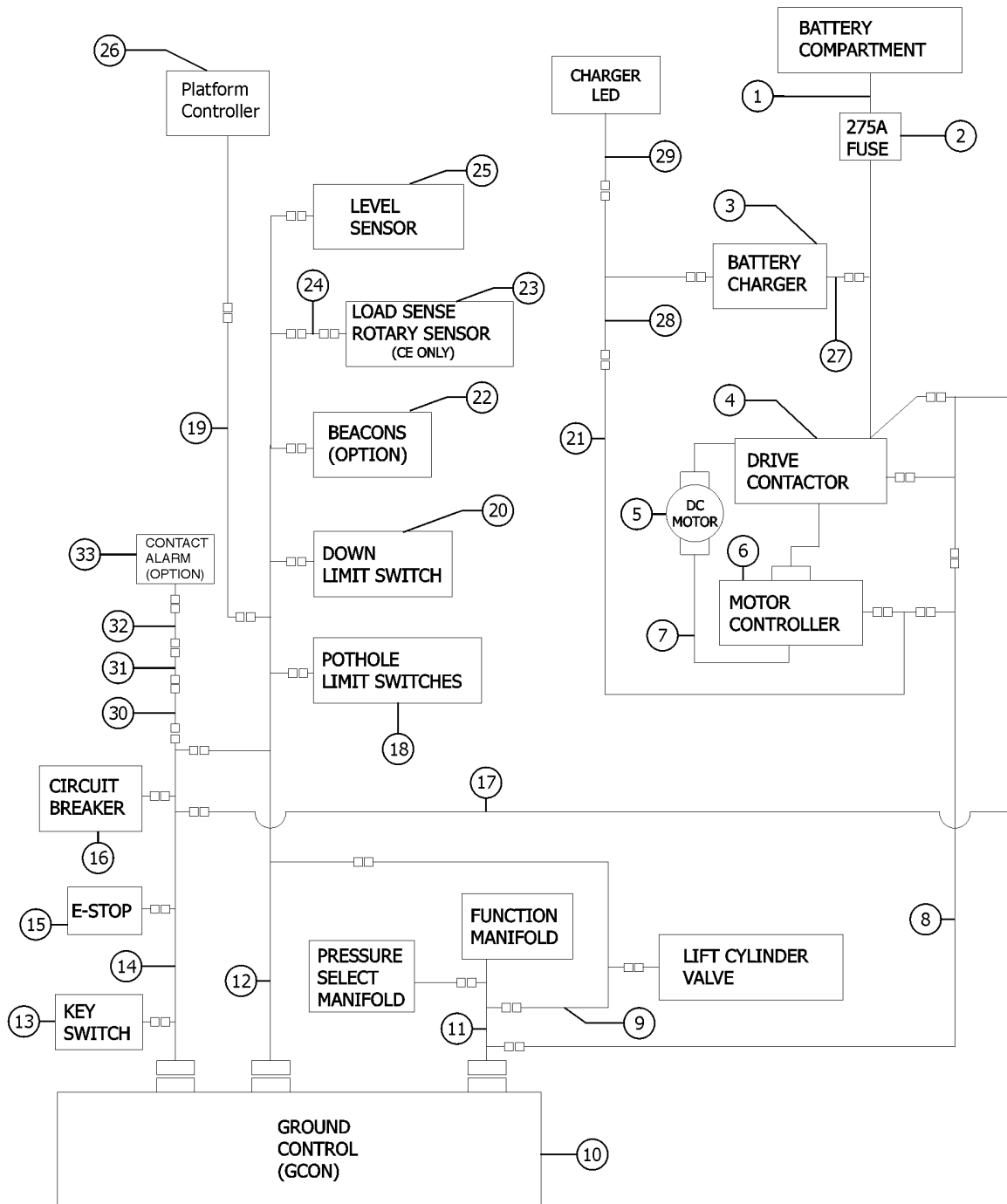
209.1 Electrical Wiring



Item	Part No.	Description	Qty.
A-	T112509GT	CABLE,LFT CYL DN,15/19XX, W/LS (not shown)	
B-	T112508GT	CABLE, LIFT CYL DOWN WO/LS (not shown)	
C-	105214GT	CABLE TIE MOUNT, WINGED (not shown)	
D-	56926GT	CLIP, TIE HARNESS MOUNT*** (not shown)	
E-	1264822GT	KIT, TRC RETROFIT, STNDRD Telematics (includes 1264834)	
F-	1264834GT	INSTRN, TRC RETROFIT, STNDRD	
1		REF: Battery Cable (refer to 210.1)	
2		REF: Fuse (refer to 205.1)	
3		REF: Battery Charger (refer to 206.1)	
4		REF: Drive Contactor (refer to 205.1)	1
5		REF: Electric Motor (refer to 504.1)	
6		REF: Motor Contoller (refer to 207.1)	
7		REF: Battery Cable (refer to 210.1)	
8	232580GT	HARNESS,DIODE JUMPER	1
9	236781GT	CABLE,LIFT CYL,GS4047	1
10		REF: Ground Controls (GCON) (refer to 208.1)	
11	1257845GT	HARNESS, FUNC. MANIFOLD, GS47	1
12	T110891GT	HARNESS, GS SENSORS, CE (Green connector)	1
13		REF: Key Switch (refer to 208.1)	
14	T110890GT	HARNESS, GS POWER CONTRL (Grey connector)	1
15		REF: E-Stop (refer to 208.1)	
16		REF: Circuit Breaker (refer to 208.1)	
17	233430GT	HRNS,CONTACTOR SIGNAL,GS46	1
18	96309GT	POTHOLE HARNESS ASSEMBLY	1
19	1260202GT	CABLE,PLAT CNTRL,GS4047	1
20		REF: Down Limit (refer to 203.1)	
21	144213GT	CHARGER INTERLOCK CBLE,GS30/32	
22		REF: Strobe Beacon (refer to 601.1)	



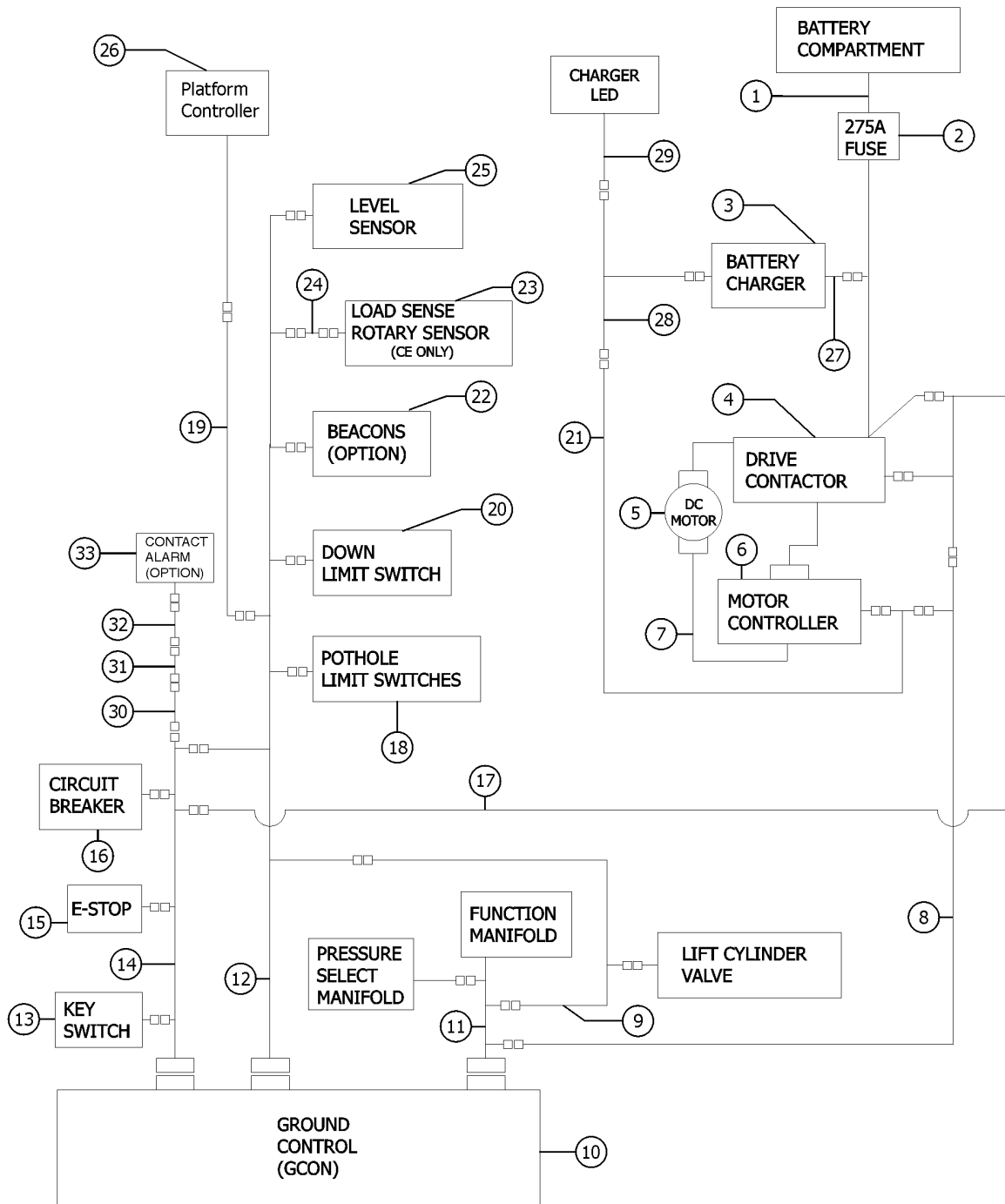
209.1 Electrical Wiring



Item	Part No.	Description	Qty.
23	T113136GT	ASSY,ROT SENSR W/HARNESS .....	1
24	T114031GT	HARNESS, ROTARY ANGLE .....	1
25		REF: Level Sensor .....	
		(refer to 203.1)	
26		REF: Platform Controls (PCON) .....	
		(refer to 403.1)	
27	1278366GT	CABLE ASSY, CHARGER/BATTERY,4047 .....	1
		from SN 2646 (refer to 206.2)	
28	1272121GT	HARNESS,LED CHARGER,GS46 .....	1
		from SN 2646 to 3645 (refer to 206.2)	
28B	1272120GT	HARNESS,LED CHARGER,GS32 .....	
		from SN 3646 (refer to 206.2)	
29	1270281GT	ASSEMBLY, CHARGER STATUS LED, 2V, BCI .....	1
		from SN 2646 (refer to 206.2)	
30		CABLE,CONTACT ALARM,CHASSIS TO PLAT,4047 .....	1
		(from SN GS47P-3307) no longer available	
31	1291053GT	HARNESS,CONTACT ALARM,GS46 PLATFORM .....	1
		refer to 606.2 (from SN GS47P-3307)	
32		CABLE,CONTACT ALARM,45IN LINK .....	1
		(from SN GS47P-3307) no longer available	
33		Ref. LIFTGUARD CONTACT ALARM .....	2
		refer to 605.2 and 606.2	



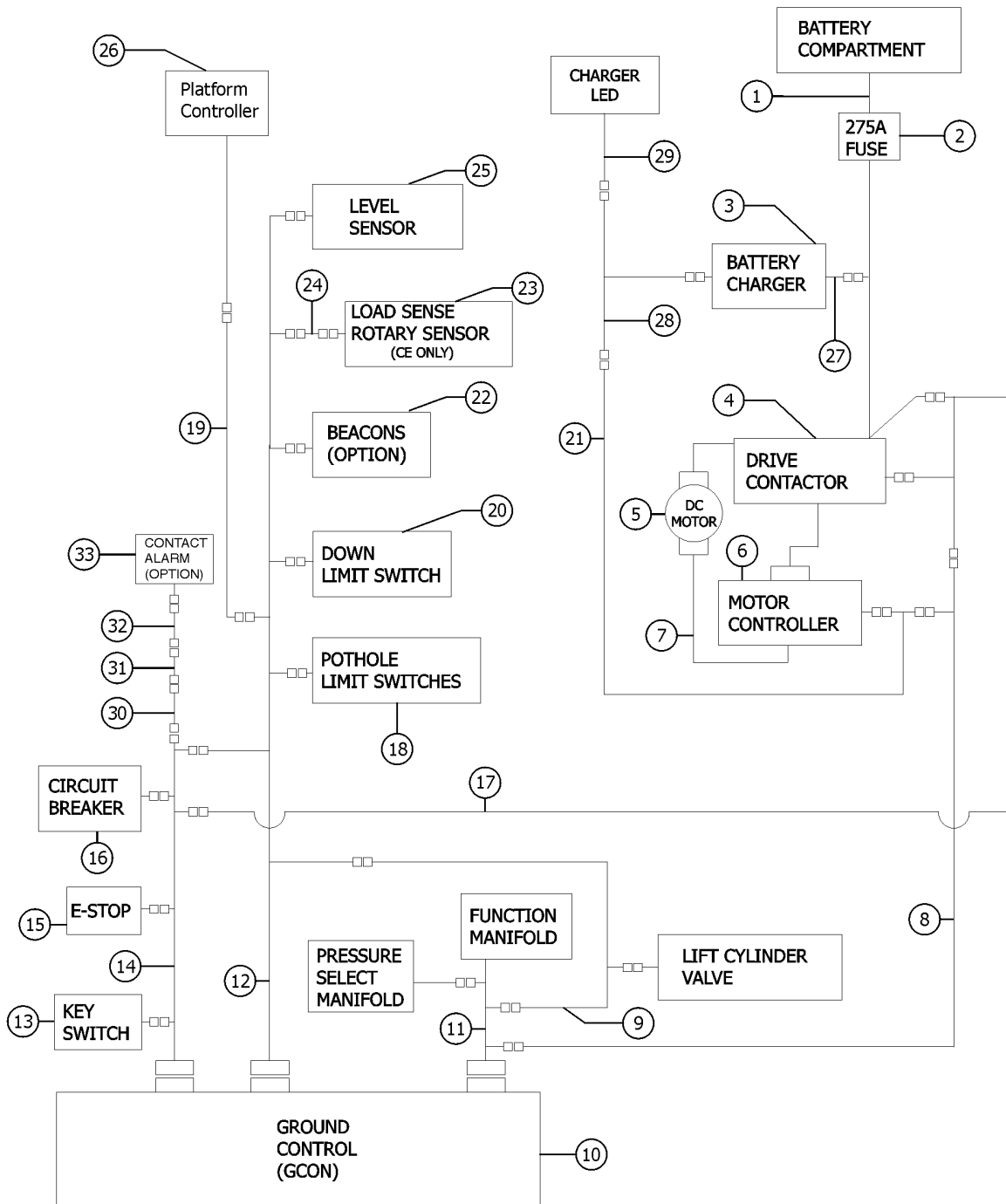
209.2 Electrical Wiring



Item	Part No.	Description	Qty.
A-	T112509GT	CABLE,LFT CYL DN,15/19XX, W/LS (not shown)	
B-	T112508GT	CABLE, LIFT CYL DOWN WO/LS (not shown)	
C-	105214GT	CABLE TIE MOUNT, WINGED (not shown)	
D-	56926GT	CLIP, TIE HARNESS MOUNT*** (not shown)	
E-	1264822GT	KIT, TRC RETROFIT, STNDRD Telematics (includes 1264834)	
F-	1264834GT	INSTRN, TRC RETROFIT, STNDRD	
1		REF: Battery Cable (refer to 210.1)	
2		REF: Fuse (refer to 205.1)	
3		REF: Battery Charger (refer to 206.1)	
4		REF: Drive Contactor (refer to 205.1)	1
5		REF: Electric Motor (refer to 504.1)	
6		REF: Motor Contoller (refer to 207.1)	
7		REF: Battery Cable (refer to 210.1)	
8	232580GT	HARNESS,DIODE JUMPER	1
9	236781GT	CABLE,LIFT CYL,GS4047	1
10		REF: Ground Controls (GCON) (refer to 208.1)	
11	1257845GT	HARNESS, FUNC. MANIFOLD, GS47	1
12	T110891GT	HARNESS, GS SENSORS, CE (Green connector)	1
13		REF: Key Switch (refer to 208.1)	
14	T110890GT	HARNESS, GS POWER CONTRL (Grey connector)	1
15		REF: E-Stop (refer to 208.1)	
16		REF: Circuit Breaker (refer to 208.1)	
17	233430GT	HRNS,CONTACTOR SIGNAL,GS46	1
18	96309GT	POTHOLE HARNESS ASSEMBLY	1
19	1260202GT	CABLE,PLAT CNTRL,GS4047	1
20		REF: Down Limit (refer to 203.1)	
21	144213GT	CHARGER INTERLOCK CBLE,GS30/32	
22		REF: Strobe Beacon (refer to 601.1)	



209.2 Electrical Wiring

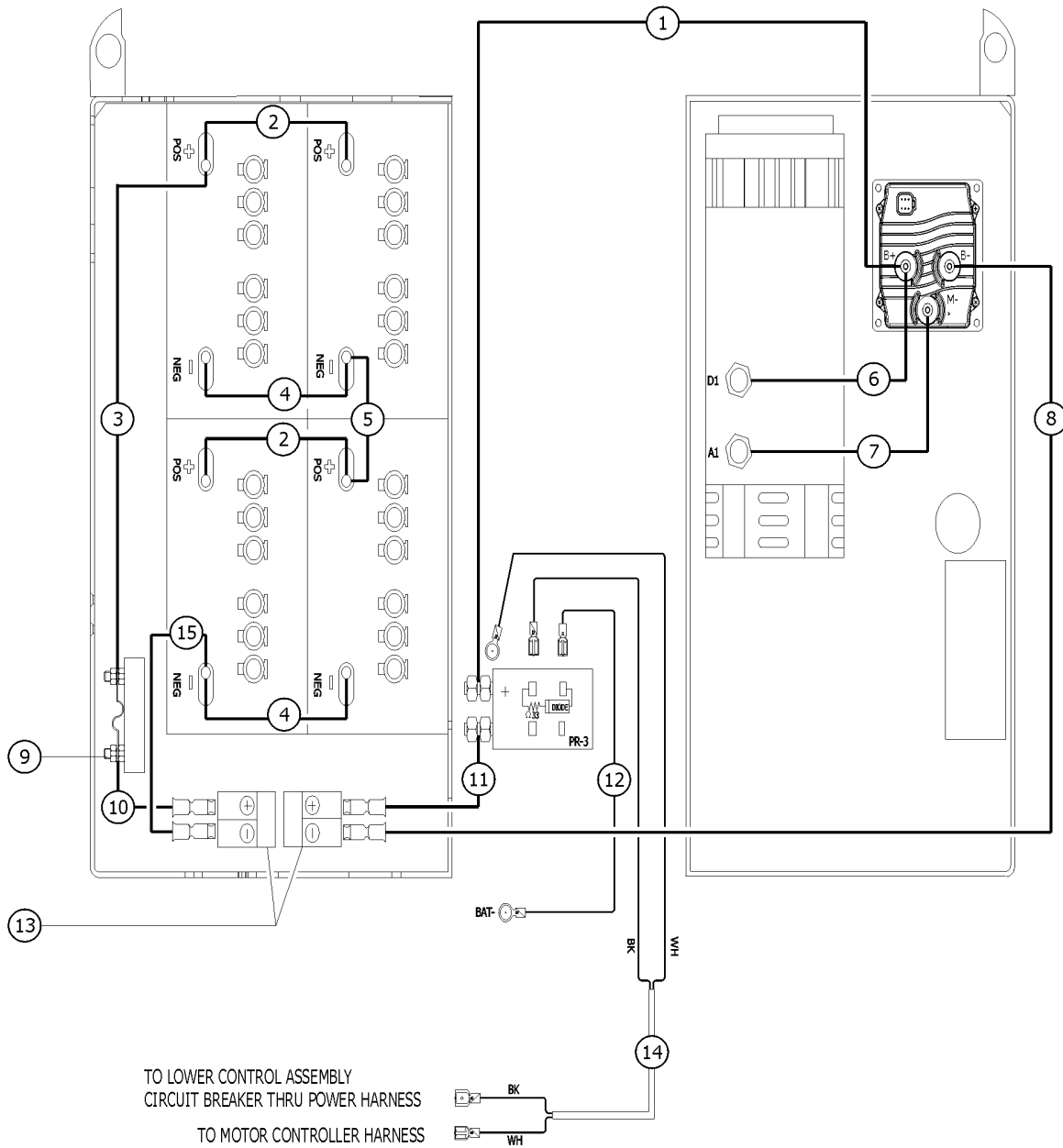




Item	Part No.	Description	Qty.
23	T113136GT	ASSY,ROT SENSR W/HARNESS .....	1
24	T114031GT	HARNESS, ROTARY ANGLE .....	1
25		REF: Level Sensor .....	
		(refer to 203.1)	
26		REF: Platform Controls (PCON) .....	
		(refer to 403.1)	
27	1278366GT	CABLE ASSY, CHARGER/BATTERY,4047 .....	1
		from SN 2646 (refer to 206.2)	
28	1272121GT	HARNESS,LED CHARGER,GS46 .....	1
		from SN 2646 to 3645 (refer to 206.2)	
28B	1272120GT	HARNESS,LED CHARGER,GS32 .....	
		from SN 3646 (refer to 206.2)	
29	1270281GT	ASSEMBLY, CHARGER STATUS LED, 2V, BCI .....	1
		from SN 2646 (refer to 206.2)	
30		CABLE,CONTACT ALARM,CHASSIS TO PLAT,4047 .....	1
		(from SN GS47P-3307) no longer available	
31	1291053GT	HARNESS,CONTACT ALARM,GS46 PLATFORM .....	1
		refer to 606.2 (from SN GS47P-3307)	
32		CABLE,CONTACT ALARM,45IN LINK .....	1
		(from SN GS47P-3307) no longer available	
33		Ref. LIFTGUARD CONTACT ALARM .....	2
		refer to 605.1 and 606.1	



210.1 Power Cables

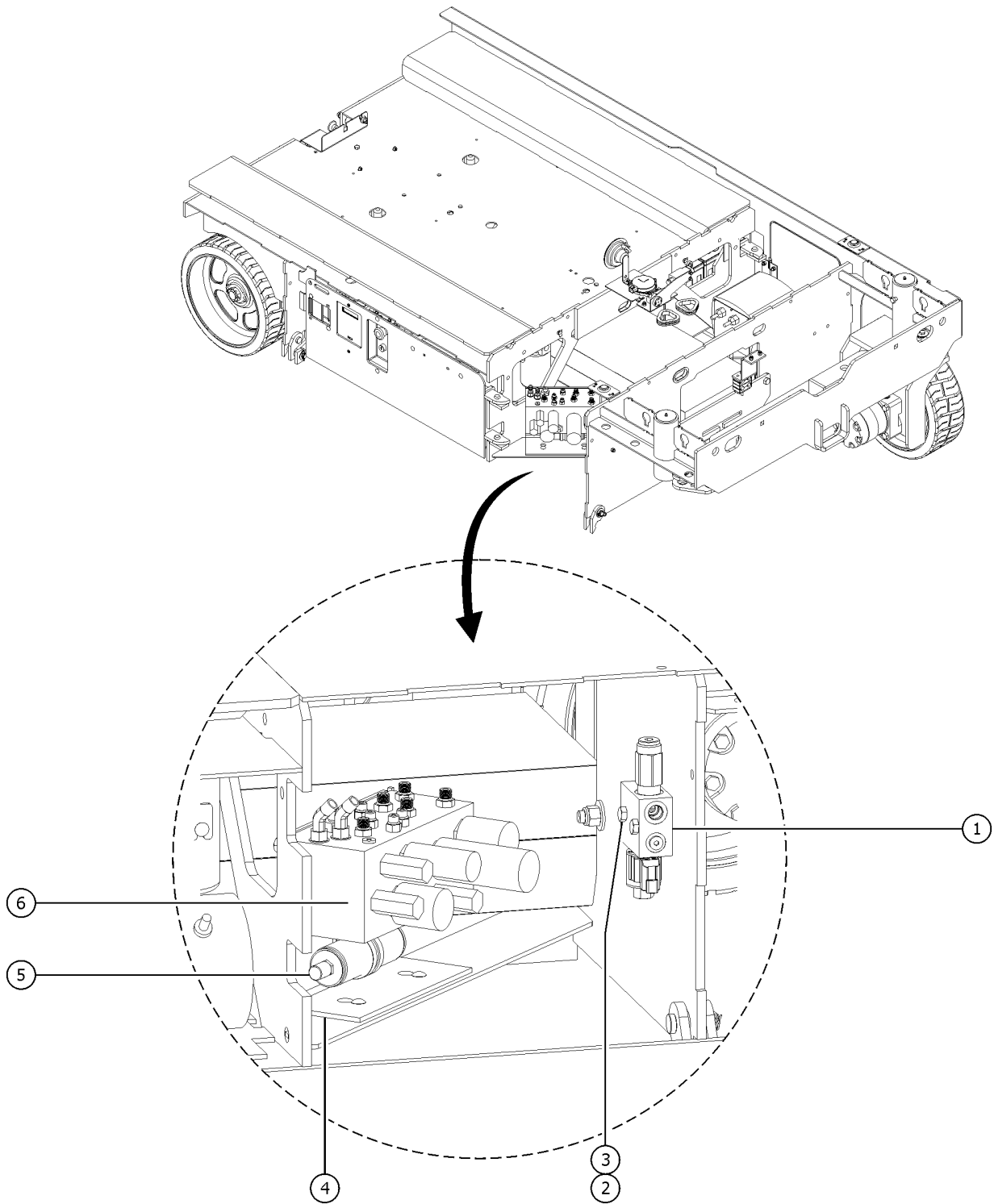


210.1 Power Cables

<i>Item</i>	<i>Part No.</i>	<i>Description</i>	<i>Qty.</i>
A	28131GT	WIRE LOOM,1.25 DIA .....	16
B	96110GT	BOOT, CABLE, TERMINAL COVER .....	11
C	79140GT	BOOT,CABLE TERMINAL,RED,XL .....	6
1	1257858GT	CABLE ASSY., BATT. 101", RED .....	1
2	1252766GT	CABLE ASSY,BATT,11"RED .....	2
3	236806GT	CABLE ASSY,BATT,30.5" RED .....	1
4	1252765GT	CABLE ASSY,BATT,11"BLACK .....	2
5	1252767GT	CABLE ASSY,BATT,14" BLACK,2 RING .....	1
6	1257054GT	CABLE ASSY., BATT. 11.5" RED .....	1
7	1257055GT	CABLE ASSY., BATT. 9.5" BLACK .....	1
8	1257855GT	CABLE ASSY., BATT. 106" BLACK .....	1
9	66717GT	FUSE BLOCK, ANN & ANL FUSE .....	1
10	236821GT	CABLE ASSY,BATT.10.5" RED .....	1
11	214827GT	CABLE ASSY, BATT, 15" RED .....	1
12	232582GT	GROUND WIRE ASSY,GS .....	1
13A	66397GT	QUICK DISCONNECT CASING,BATT** .....	2
13B	44716GT	HANDLE,ANDERSON CONNECTOR SB .....	1
14	233430GT	HRNS,CONTACTOR SIGNAL,GS46 .....	1
15	236822GT	CABLE ASSY,BATT,12.5" BLACK .....	1



211.1 Accumulator, Lift Pressure Select and Function Manifolds

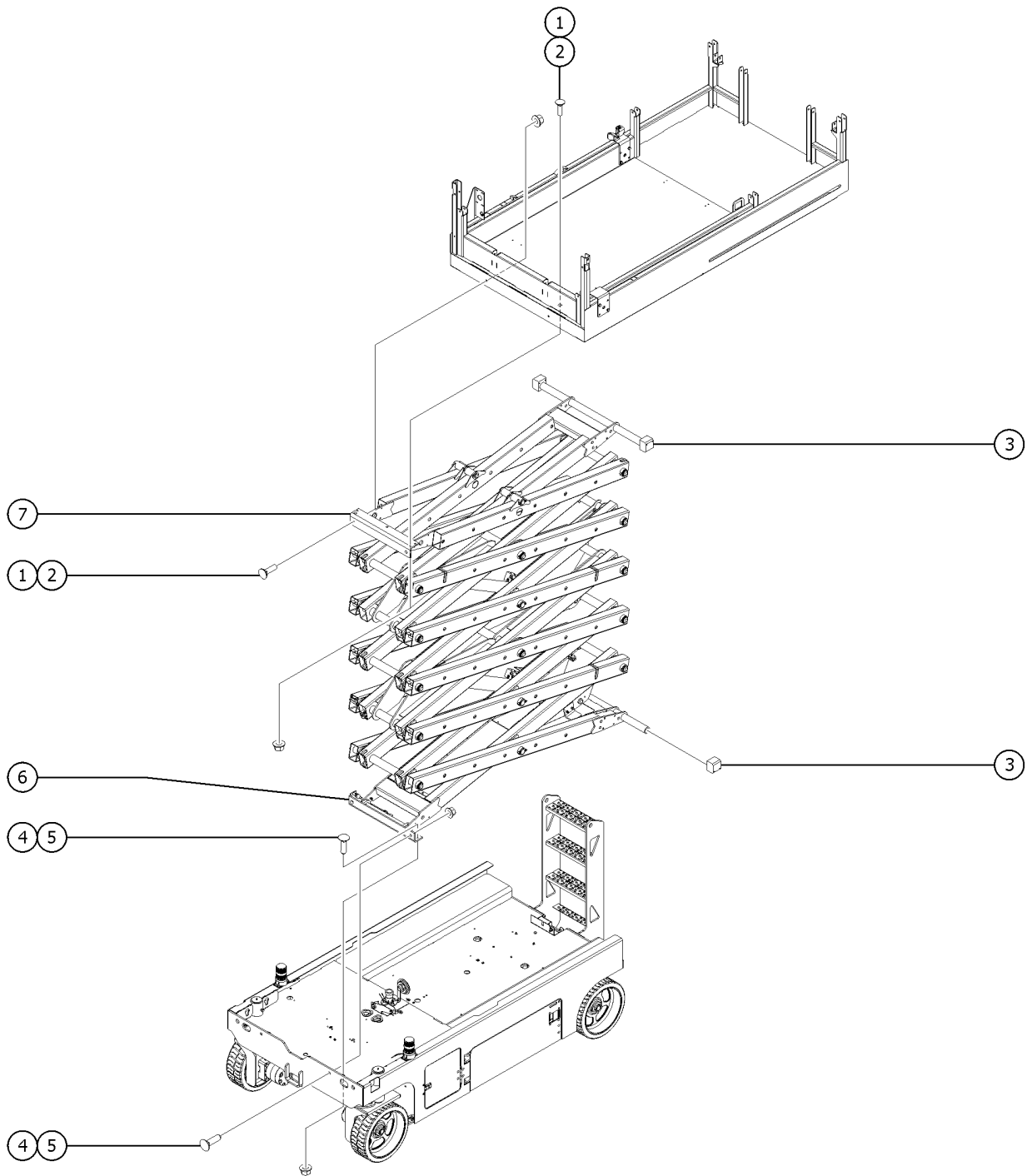


211.1 Accumulator, Lift Pressure Select and Function Manifolds

<i>Item</i>	<i>Part No.</i>	<i>Description</i>	<i>Qty.</i>
1	229606GT	MANIFOLD,LIFT PRESSURE SELECT .....	1
1-	119827GT	COIL, 20V, ZENER DIODE DEUTSCH .....	
1-	229616GT	VALVE,RELIEF,SZ8, 3500 PSI .....	
1-	44997GT	VALVE,SOLENOID,2POS 2WAY N.O.* .....	
2	1255801GT	SCREW,HHF,5/16-18X2.25,8,ZAG .....	2
3	824028GT	NUT,TL FLG,5/16-18,G,ZAG .....	2
4	105574GT	FORMING,MANIFOLD .....	1
5	78422GT	ACCUMULATOR,180 PSI PRECHARGE* .....	1
5-	18504GT	NUT,LOCKING-LG.FLANGE,1/4-20 .....	
5-	32339GT	CLAMP,1.75,#28 X 3/8,RUB CUSH* .....	
5-	9116GT	BOLT,CARRIAGE,1/4-20 X 1.25,G2 .....	
6		Ref. Function Manifold .....	1
		(refer to 502.1)	



301.1 Scissor Assembly Installation

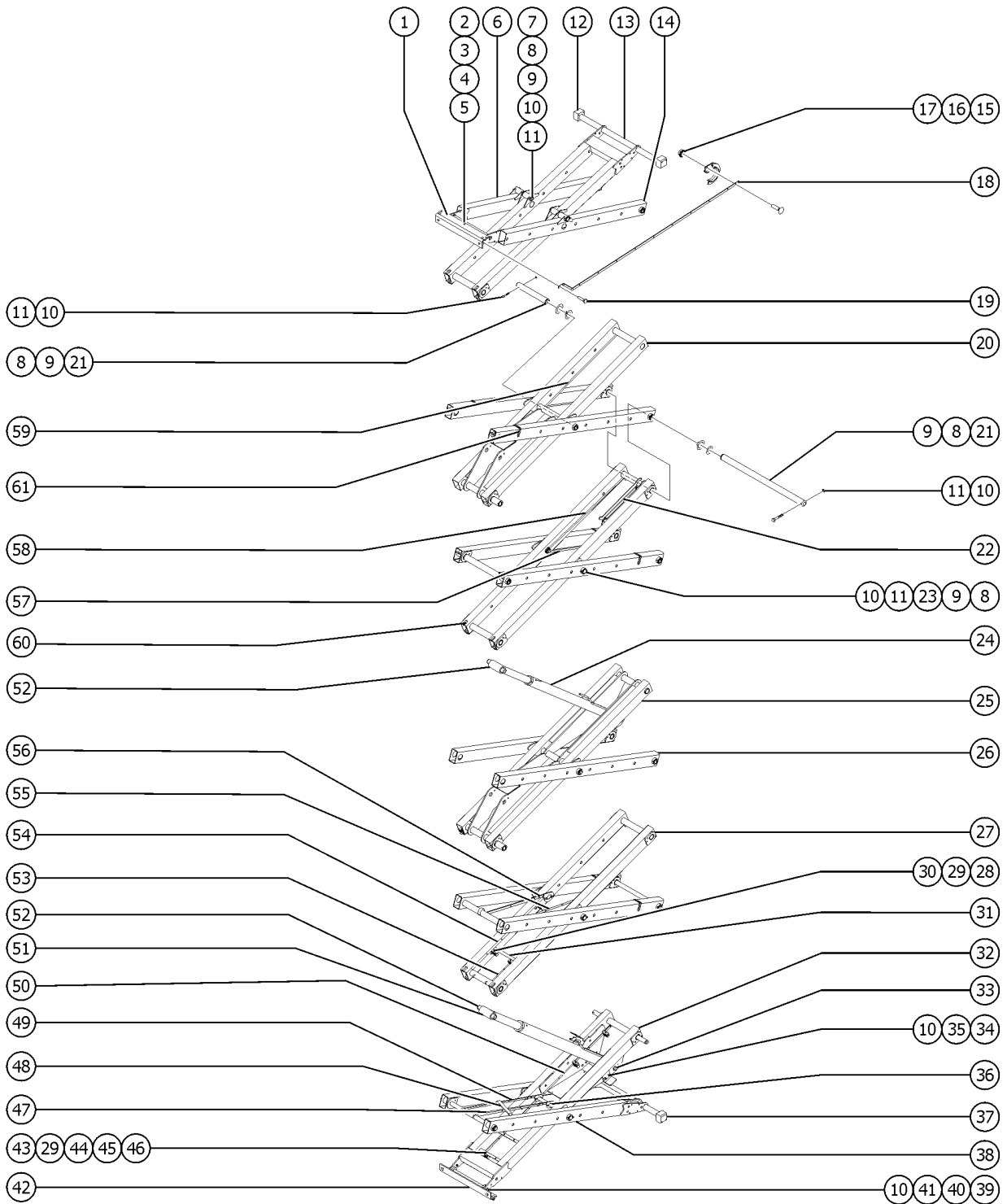


301.1 Scissor Assembly Installation

<i>Item</i>	<i>Part No.</i>	<i>Description</i>	<i>Qty.</i>
1	1255757GT	BOLT,CARRIAGE,3/8-16X1.25,5,ZAG .....	8
2	824029GT	NUT,TL FLG,3/8-16,G,ZAG .....	8
3	96595GT	SLIDER,UHMW .....	4
4	1256115GT	BOLT,CARRIAGE,1/2-13X1.75,5,ZAG .....	8
5	1251997GT	NUT,TL,FLG,1/2-13,G,ZAG .....	8
6	97241GT	CHASSIS MOUNT ASSY, GS32&46 .....	1
6-	51474GT	BEARING,1.00IDX1.25ODX0.75L .....	
7	84747GT	PLATFORM MOUNT ASSY, GS32&46 .....	1
		to SN GS47P-3645	
7-	36369GT	BEARING,0.75IDX1.00ODX0.75L .....	2
		for 84747	
7B	1285864GT	ASSEMBLY, PLATFORM MOUNT, GS .....	1
		from SN GS47P-3646	
7B-	36369GT	BEARING,0.75IDX1.00ODX0.75L .....	2
		for 1285864	



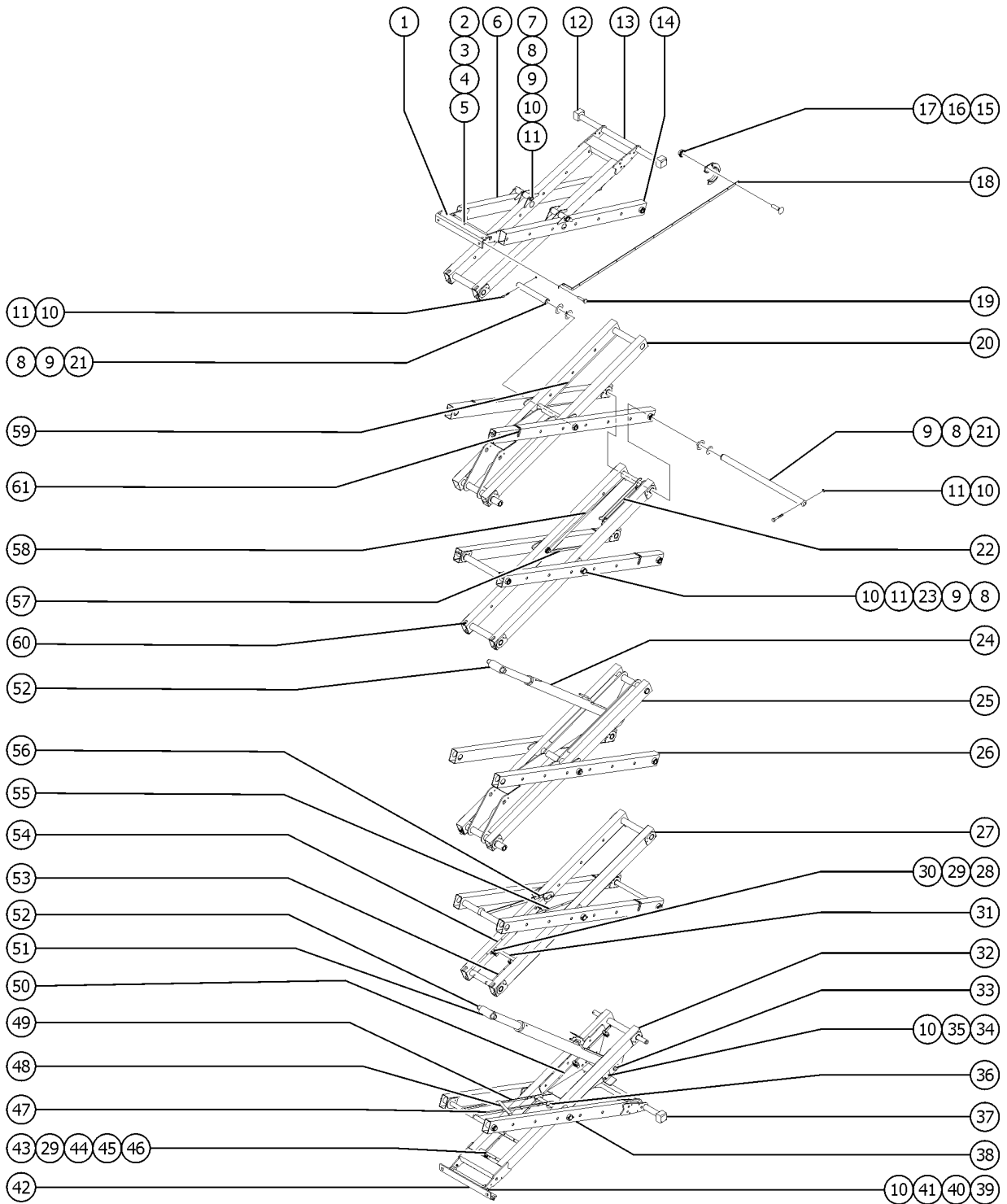
302.1 Scissor Assembly





Item	Part No.	Description	Qty.
1		Ref. Platform Mount Assembly (refer to 301.1)	
2	96932GT	PIN, LINKSET MOUNT, 3/4"	1
3	825020GT	ROD END, .25 X 2.75, ZAG	2
4	824080GT	SCREW,HHF,1/4-20X1.25,8,ZAG	
5	824027GT	NUT, TL FLG, 1/4-20, G, ZAG	
6	96615GT	WLDMT,LNK,OUTER #4,26XX (ground controls side)	1
7	96130GT	PIN, MINI, CENTRE	2
8	825796GT	SNAP RING,EXTERNAL,1.50,ZAG	
9	1260941GT	WASHER,SHIM,1.54X2.00X.125,ZAG	
10	824025GT	NUT,TL,3/8-16,C,ZAG	
11	1256848GT	SCREW,HHC,3/8-16X2.75,8,ZAG	
12		Ref. Platform Slider (refer 301.1)	
13	1273427GT	ASSEMBLY,LINK,INNER #6	1
13-	66055GT	BEARING,1.50IDX1.77ODX1.25L	
13-	96487GT	BEARING,1.26IDX1.53ODX1.25L	
14	96616GT	WLDMT,LNK,OUTER #4,26XX,LEFT (battery pack side)	1
15	1256679GT	NUT,SERRATED,1/4-20,8,ZAG	22
16	105193GT	CLIP,CABLEBRIDGE,GS32/46	12
17	1260963GT	BOLT,CARRIAGE,1/4-20X.63,5,ZAG	24
18	105189GT	BAR,CABLE BRIDGE ARM,UPPER	1
19	9116GT	BOLT,CARRIAGE,1/4-20 X 1.25,G2	2
20	1273419GT	ASSEMBLY,LINK,INNER #5	1
21	96899GT	PIN, LONG, GS46	13
22	58000GT	SAFETY CHOCK,SCISSOR	1
23	96900GT	PIN, SHORT, GS46	4
24		Ref. Lift Cylinder, Top (refer 505.1)	
24-	66055GT	BEARING,1.50IDX1.77ODX1.25L	
25	1273421GT	ASSEMBLY,LINK,INNER #3	1

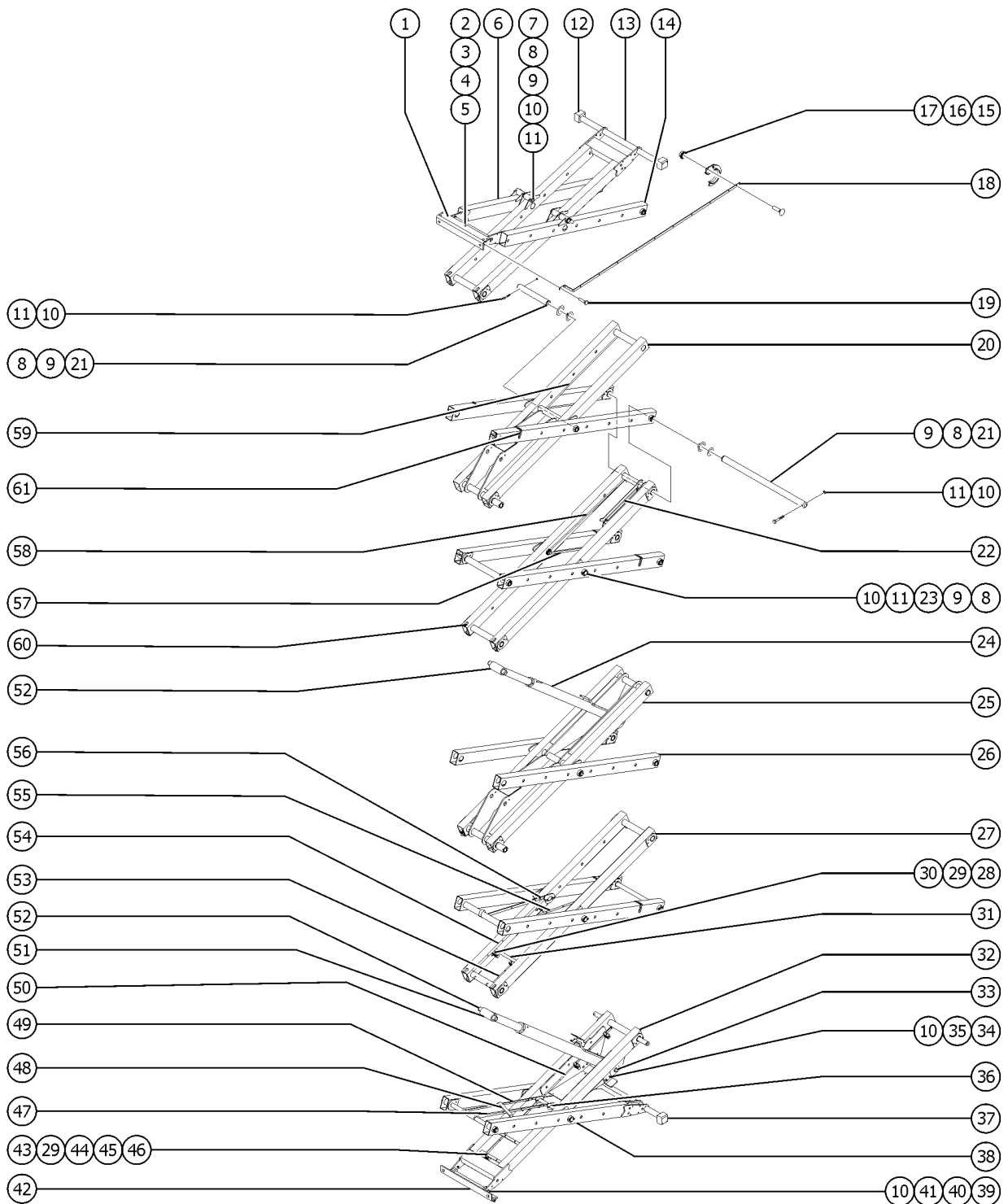
302.1 Scissor Assembly



Item	Part No.	Description	Qty.
26	229579GT	WELDMENT, LINK, OUTER, #2,3,4,5	8
26-	66055GT	BEARING, 1.50IDX1.77ODX1.25L	
27	1273420GT	ASSEMBLY, LINK, INNER #2,4	2
28	1261822GT	BOLT, CARRIAGE, 10-24 X 1.5", G2	12
29	105213GT	RUBBER CUSHION, CLAMP, SHORT	
30	105206GT	CLAMP, SHORT	13
31	1273387GT	FORMING, END CONNECTING	1
32	1273426GT	ASSEMBLY, LINK, INNER #1 (decal not included refer to section one)	1
32-	66055GT	BEARING, 1.50IDX1.77ODX1.25L	
33	96662GT	PIN, LOWER CYLINDER MOUNT	1
34	1255757GT	BOLT, CARRIAGE, 3/8-16X1.25, 5, ZAG	
35	105074GT	FORMING, PH PUSHER, GS46	2
36	1261823GT	BEARING, 1.5IDX1.75ODX2.4L	2
37		Ref. Chassis Slider (refer 301.1)	
38	96603GT	WLDMT, LNK, OUTER #1, XX46 (decal not included refer to section one)	1
39	96862GT	PIN, LINKSET MOUNT, 1"	
40	825019GT	ROD END, .375X3.69, ZAG	6
41	8516GT	SCREW, HCC, 3/8-16 X 1.50	
42		Ref. Chassis Mount Assembly (refer 301.1)	
43	105208GT	RUBBER CUSHION, SEPARATOR	5
44	105205GT	CLAMP, LONG	
45	1256467GT	NUT, TL FLG, 10-24, F, ZAG	
46	1260962GT	BOLT, CARRIAGE, 10-24X2.5, A, ZAG	
47	1273370GT	WELDMENT, CABLE BRIDGE TOP	1
48	1273385GT	FORMING, END CONNECTING	2
49	1273367GT	WELDMENT, CABLE BRIDGE, TOP	1
50	105186GT	WLDMNT, CABLE BRIDGE, LOWER	1
51		Ref. Lift Cylinder, Bottom (refer 505.1)	

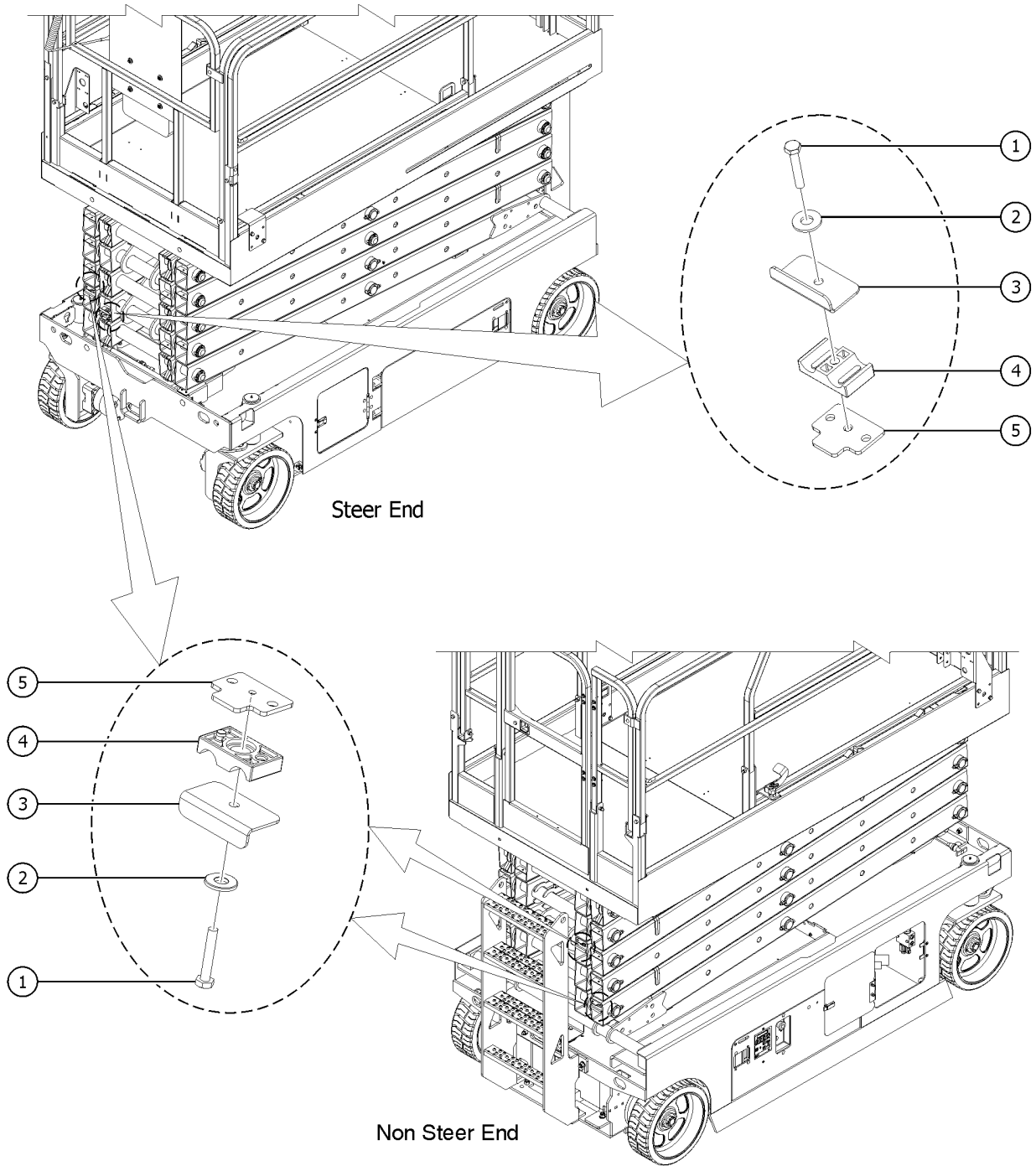


302.1 Scissor Assembly



<i>Item</i>	<i>Part No.</i>	<i>Description</i>	<i>Qty.</i>
52	96661GT	PIN, UPPER CYLINDER MOUNT .....	3
53	1273361GT	WELDMENT, CABLE BRIDGE, BOTTOM .....	1
54	1273366GT	WELDMENT, CABLE BRIDGE, BOTTOM .....	1
55	1273365GT	WELDMENT, CABLE BRIDGE, TOP .....	1
56	1273364GT	WELDMENT, CABLE BRIDGE, TOP .....	1
57	1273573GT	WLDMT,CABLE BRIDGE,BOTTOM .....	1
58	105191GT	WELDMENT.CABLE BRIDGE, TOP .....	1
59	1273386GT	BAR, CABLE BRIDGE ARM .....	2
60	96735GT	LINK BUMPER, 5" .....	10
61	96836GT	LINK BUMPER, SHORT TUBE .....	8

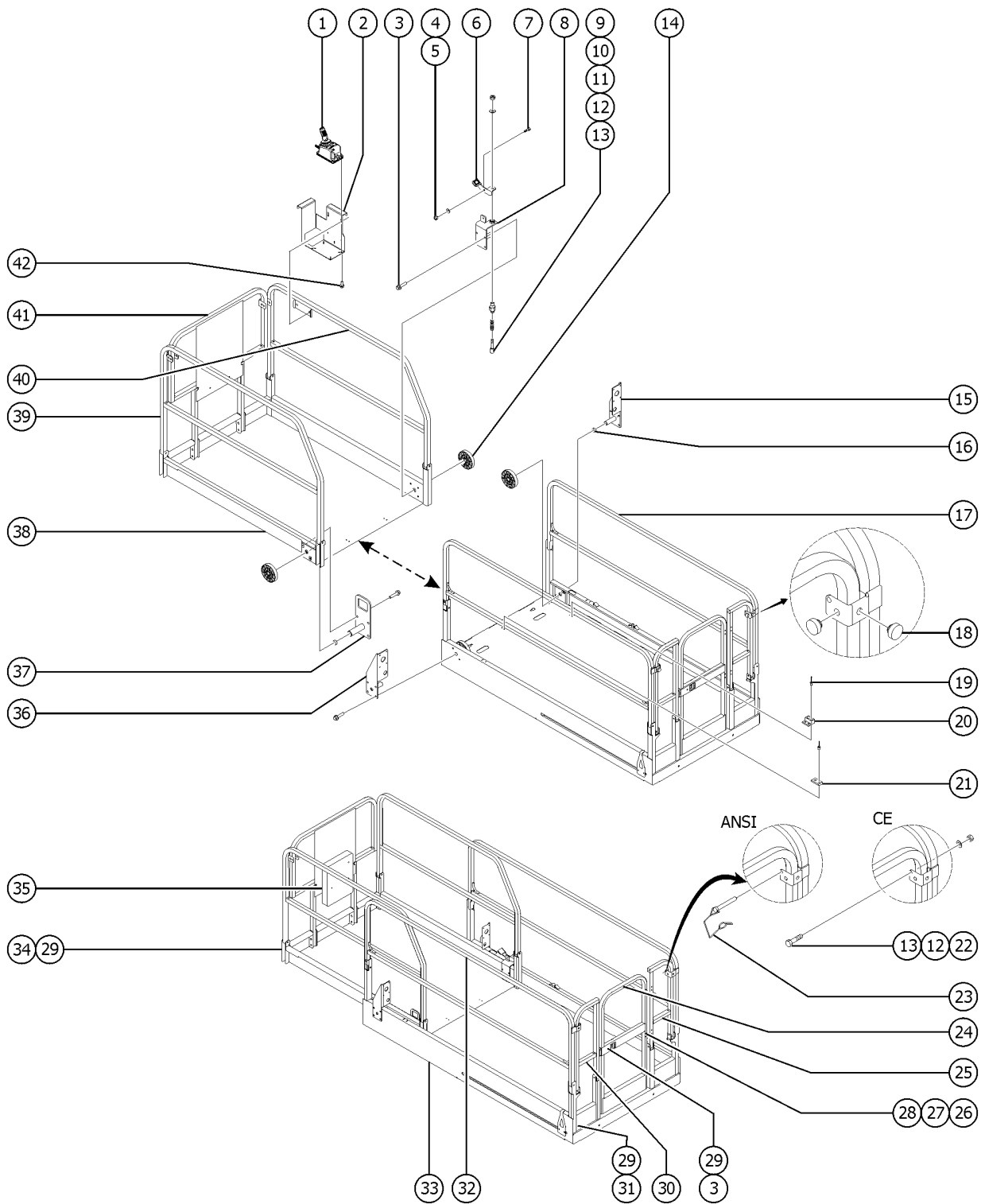
303.1 Scissor Assembly, Hose Clamps



303.1 Scissor Assembly, Hose Clamps

<i>Item</i>	<i>Part No.</i>	<i>Description</i>	<i>Qty.</i>
1	238348GT	SCREW, HHC, 1/4-20 X 1.5"L, STL GR8 .....	4
2	5397GT	WASHER,FLAT,USS,5/16",Y .....	4
3	1273384GT	FORMING, HOSE CLAMP .....	4
4	78736GT	CLAMP,2 HOSE,PLASTIC .....	4
5	1273383GT	PLATE, RETAINER .....	4

401.1 Platform Components



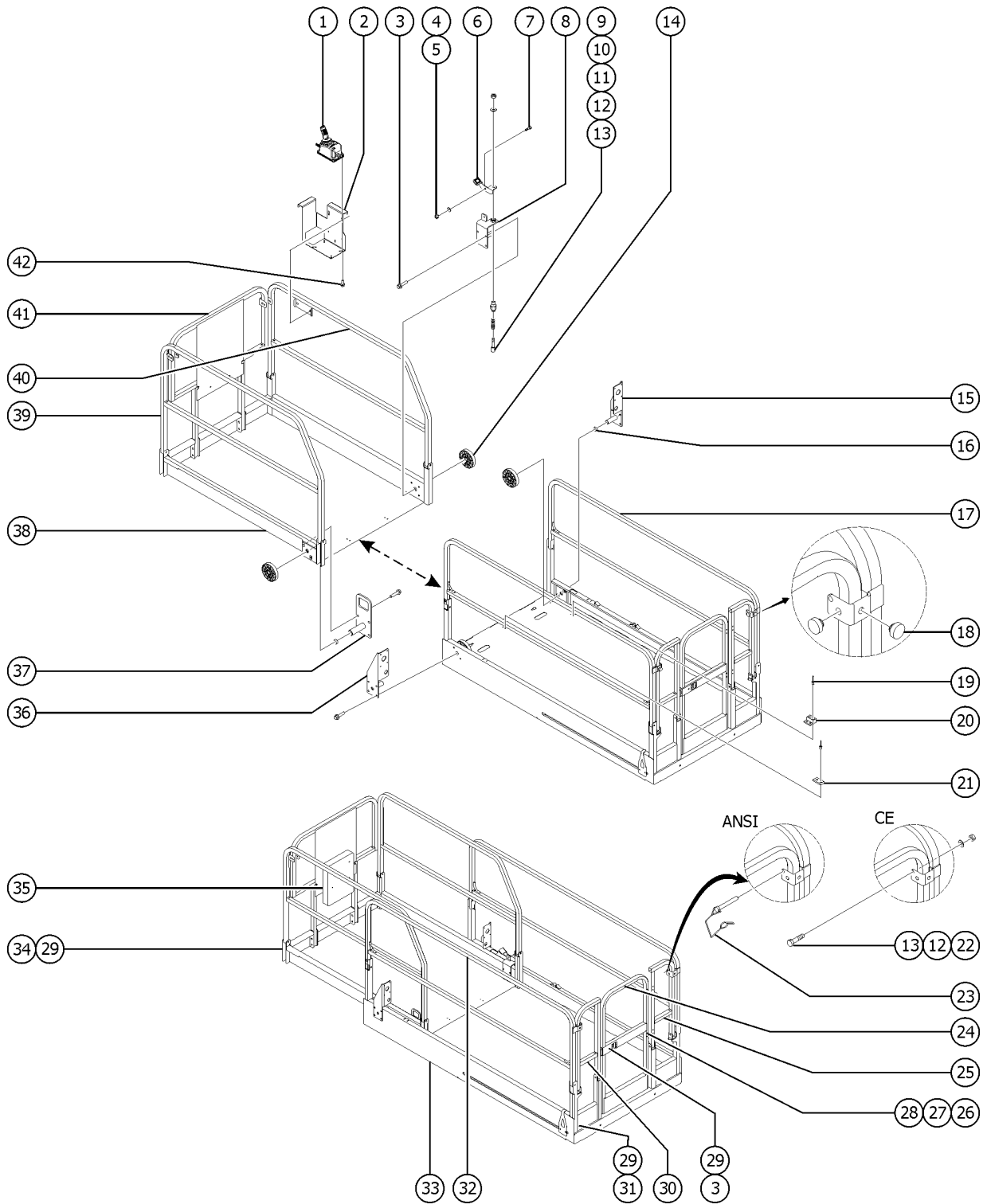


401.1 Platform Components

Item	Part No.	Description	Qty.
1		Ref. Platform Control Box ..... (refer to 403.1)	
2		Ref. Platform Control Box Mount Bracket ..... (refer to 403.1)	
3	1253478GT	SCREW,HHF,3/8-16X2,8,ZAG .....	5
4	1252977GT	NUT,TL JAM,5/16-18,A,ZAG .....	1
5	825358GT	WASHER,FLAT,5/16,USS,ZAG .....	1
6	46260GT	FOOTPEDAL W/NON-SKID TAPE,GS** .....	1
6-	47166GT	BRACKET,FOOT PEDAL ..... (non skid tape not included)	1
6-	47225GT	TAPE, NON-SKID, DIE CUT, 1.38 X 1.5 ..... (not included sold separately)	
7	1259223GT	BOLT,SHS,3/8X.375X5/16-18,ZAG .....	1
8	96413GT	WLDMT,LOCKING ROLLER SUPPORT .....	1
9	1259181GT	PIN,LOCK,0.5X3.125,ZAG .....	1
10	39469GT	SPRING,COMPRESSION.485 X1.75** .....	1
11	41630GT	HOUSING, LOCK PIN .....	1
12	1255758GT	WASHER,FLAT,3/8,USS,ZAG .....	4
13	824038GT	NUT, TL JAM, 3/8-16, A, ZAG .....	4
14	47163GT	ROLLER,PLATFORM EXTENSION .....	4
15	84587GT	ROLLER BRACKET ASSY, GRND CNTR ..... (ground controls side)	1
16	21279GT	BUTTON, .800 O.D. X .281 .....	3
17	82052-SGT	RAIL-GS46 PLAT,MAINDECK RT**** ..... (ground controls side)	1
18	43392GT	BUMPER,BATTERY BOX & RAILS .....	14
19	39579GT	RIVET,STL,STL,.188 X .45 .....	20
20	39310GT	WEAR/GUIDE PAD MAIN PLATFORM .....	4
21	39474GT	WEAR PAD, PLATFORM .....	3
22	824094GT	SCREW,HHF,3/8-16X2.75,8,ZAG .....	3
23	1259182GT	PIN,WIRE LOCK 3/8 X 2 -1/2,ZAG .....	
23-	78022GT	LANYARD,BLACK NYLON,TYPE 1 .....	
24A	96760GT	ASSY, PLATFORM GATE, GSXX46 ..... COMPLETE (decals not included, refer to section one)	1
24B	97242GT	SWING GATE ASSY, GS46 WELD ..... (decals not included, refer to section one)	1



401.1 Platform Components

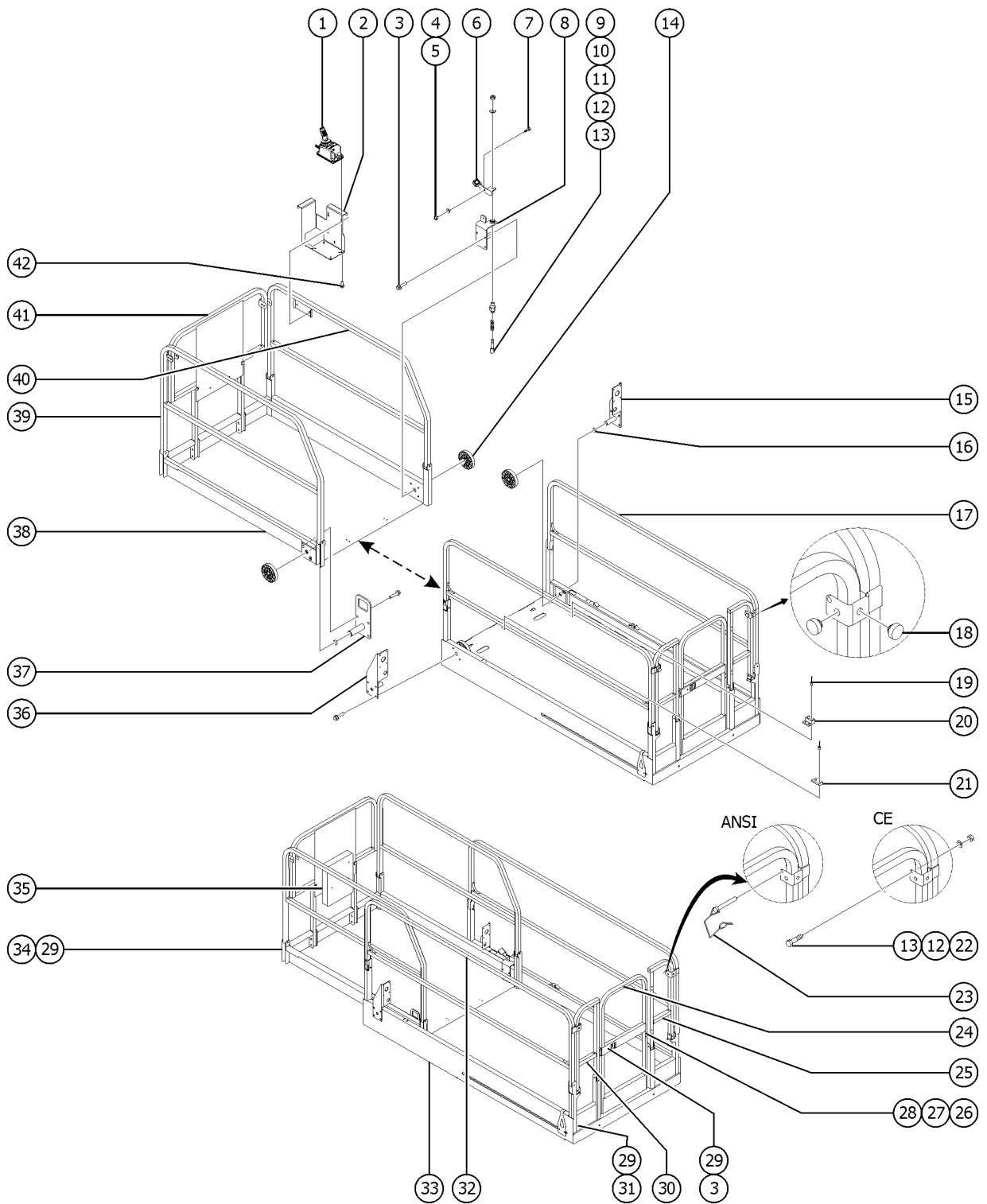


401.1 Platform Components

Item	Part No.	Description	Qty.
24C	66512GT	WLDMT, FULL HEIGHT GATE .....	1
24D	65990-SGT	KIT,GATE LATCH (includes items 3 and 29) .....	
24D-	22446GT	SPRING, COMPRESSION .835 X 2 included in kit 65990-SGT .....	1
24D-	66544GT	LATCH HANDLE included in kit 65990-SGT .....	1
25	66923GT	WLDMT, ENTRY SIDERAIL, RT (ground controls side) .....	1
25-	78038GT	CAP, PLASTIC, 1.25 X 0.08" .....	
26	1253485GT	SCREW,HHF,1/4-20X2,8,ZAG .....	8
27	104804GT	HINGE, SPRING, LONG LEG .....	2
28	824027GT	NUT, TL FLG, 1/4-20, G, ZAG .....	8
29	824029GT	NUT,TL FLG,3/8-16,G,ZAG .....	
30	66920GT	WLDMT, ENTRY SIDERAIL, LT (battery pack side) .....	1
30-	78038GT	CAP, PLASTIC, 1.25 X 0.08" (not included sold separately) .....	
31	1260926GT	BOLT,CARRIAGE,3/8-16X2.25,5,ZAG .....	2
32	82053-SGT	RAIL-GS46 PLAT,MAINDECK LT**** (battery pack side) .....	1
32-	43392GT	BUMPER,BATTERY BOX & RAILS .....	3
33	1284268GT	WLDMT,MAIN DECK,GS46 (decals not included, refer to section one) .....	1
33-	47098GT	TAPE,NON-SKID,DIE CUT,4"X 40" (not included sold separately) .....	
33-	47231GT	TAPE,NON-SKID,DIE CUT,4"X 16" (not included sold separately) .....	
33-	47374GT	TAPE,NON-SKID,DIE CUT,4"X 32" (not included sold separately) .....	
34	1256856GT	SCREW,HHF,3/8-16X2.5,8,ZAG .....	
35	24514GT	BOX,INSTRUCTION STORAGE (decals not included, refer to section one) .....	1
35-	1256855	SCREW,HHF,1/4-20X.625,8,ZAG .....	4
35-	824027GT	NUT, TL FLG, 1/4-20, G, ZAG .....	4
35-	824113GT	WASHER,FLAT,USS,1/4,ZAG .....	4
36	96246GT	WELDMENT,ROLLER BRACKET,LT*** .....	1
37	96200GT	WLDMT, LANYARD ROLLER BRKT (decals not included, refer to section one) .....	1
37-	21279GT	BUTTON, .800 O.D. X .281 (sold separately) .....	1
38	97258GT	EXT. DECK ASSY, GS46 .....	1



401.1 Platform Components

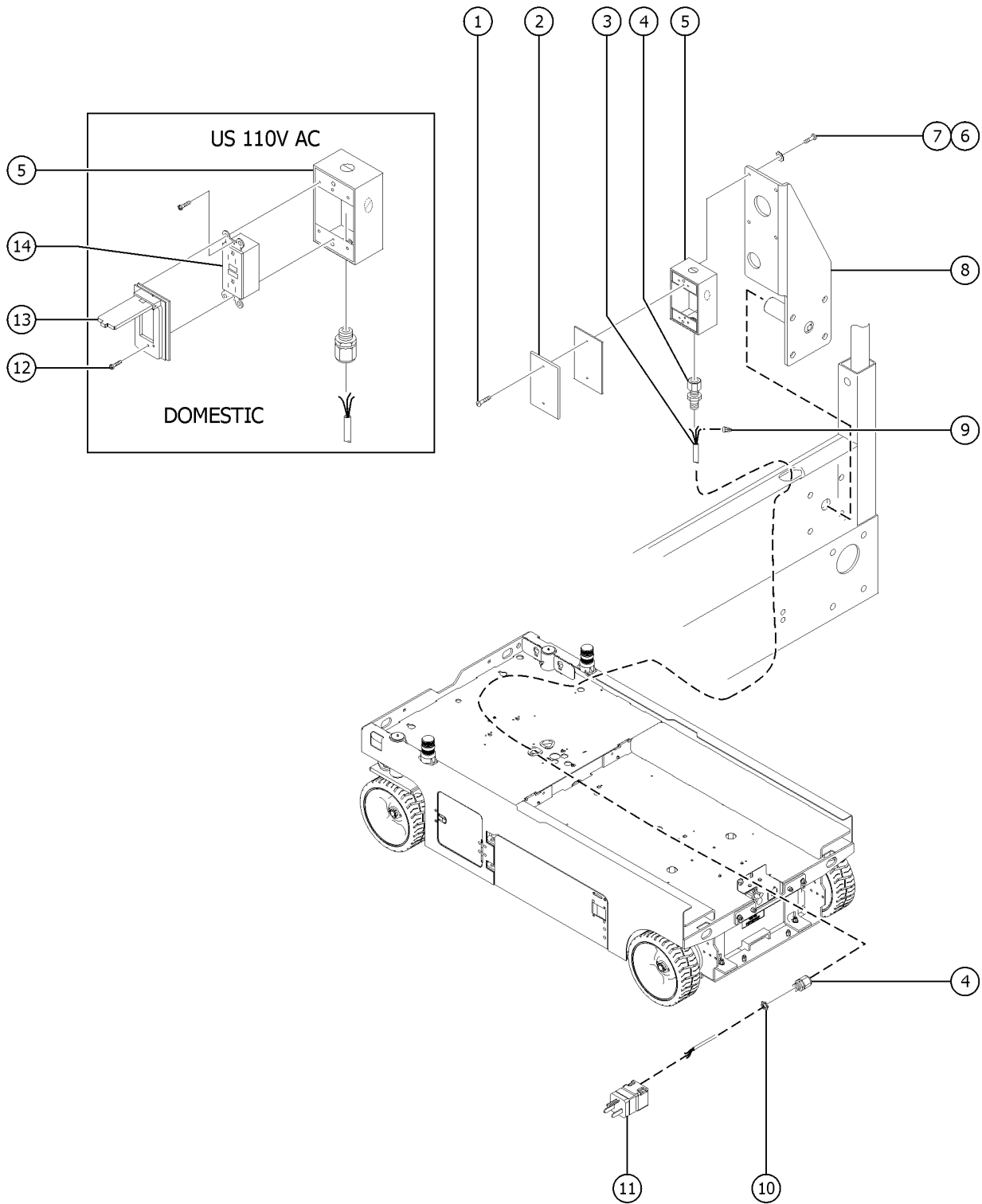


401.1 Platform Components

<i>Item</i>	<i>Part No.</i>	<i>Description</i>	<i>Qty.</i>
38-	39474GT	WEAR PAD, PLATFORM .....	2
38-	47374GT	TAPE, NON-SKID, DIE CUT, 4" X 32" .....	7
38-	96719GT	WLDMT, EXT. DECK, GSXX46 .....	1
38-	T113787GT	RIVET, ALUM, STL, .188 X .250 .....	4
		for 39474GT	
39	97263GT	LEFT EX. RAIL, GS46 .....	1
		(battery pack side)	
39-	43392GT	BUMPER, BATTERY BOX & RAILS .....	3
40	97264GT	RIGHT EXT RAIL, GS46 (SYMBOL) .....	
		(decals not included, refer to section one)	
40-	43392GT	BUMPER, BATTERY BOX & RAILS .....	3
41	96794GT	WLDMT, EXTENSION ENDRAIL .....	1
		(decals not included, refer to section one)	
42	824078GT	SCREW, HHF, 1/4-20X.75, 8, ZAG .....	1



402.1 Power to Platform

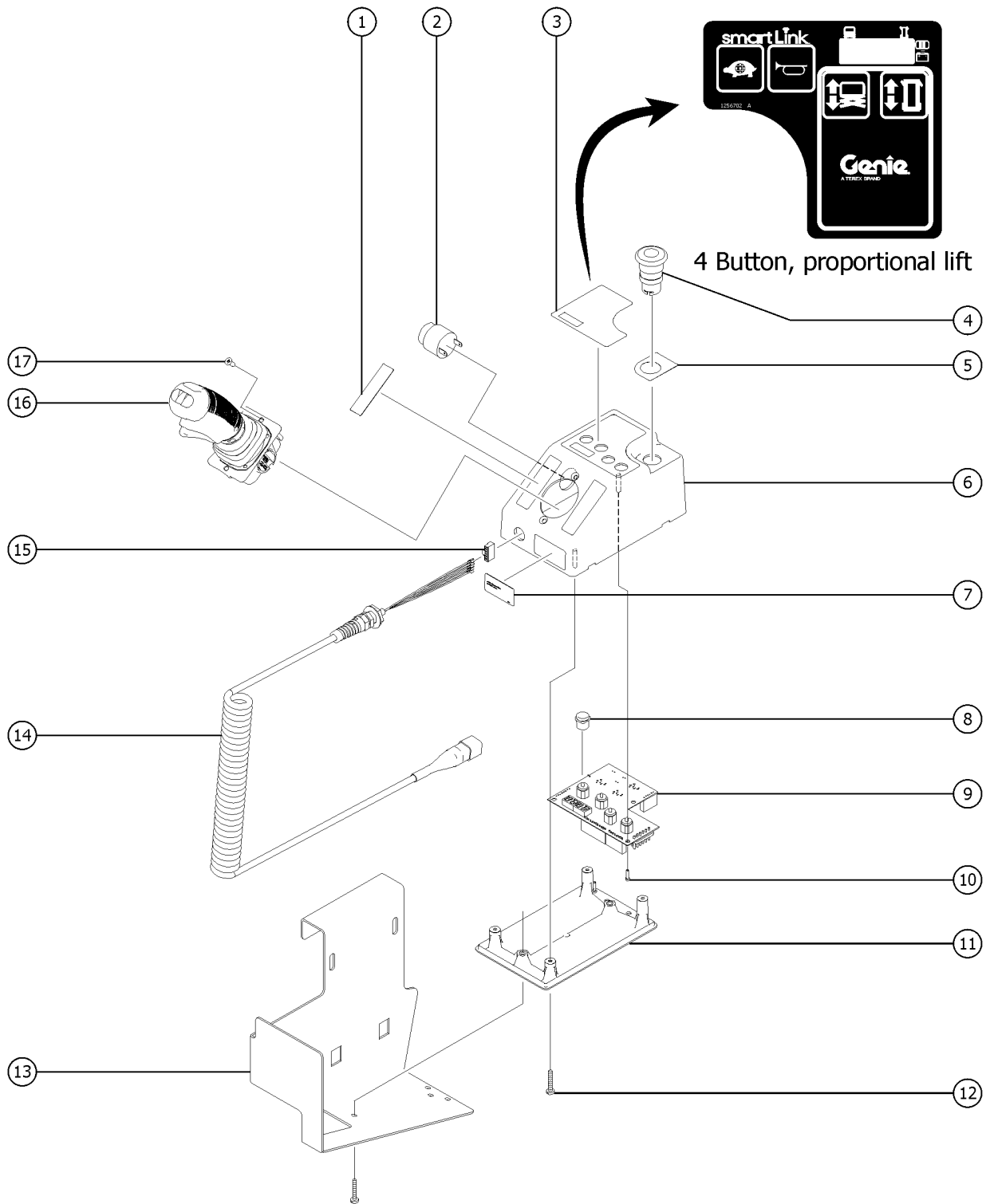


402.1 Power to Platform

Item	Part No.	Description	Qty.
A	33724GT	KIT,GASKET,UK POWER TO PLAT .....	
1	7127GT	SCREW,PHILLIPS,PHM,6-32 X .75 .....	
2	10777GT	COVER,BLANK .....	1
3	43956GT	WIRE CABLE, 14/GA/3 CON. TPE JKT* .....	724
4	7056GT	CONN,SQUEEZE,1/2NPT .38-.50,SM .....	2
5	10775GT	T-BOX,2.75 X 4.5 X 2.0 .....	1
6	57075GT	SCREW, PHIL, 8-32 X .50, SELF TAP .....	4
7	44936GT	WASHER,STAR,EXTERNAL,#8 .....	4
8		REF: Roller Bracket .....	
		(refer to 401.1)	
9	6626GT	WIRE CAP,ORANGE .....	3
10	6935GT	CONN, SQZ, 1/2NPT, LOCKNUT .....	
11	6595GT	PLUG,ELECTRICAL,DOMESTIC .....	1
12	45546GT	SCREW,RHM,6-32 X .5 .....	2
13	45437GT	COVER,GFCI,WEATHERPROOF .....	1
		(includes gasket and mounting fasteners)	
14	13585GT	OUTLET, 110V .....	1



403.1 Platform Controls

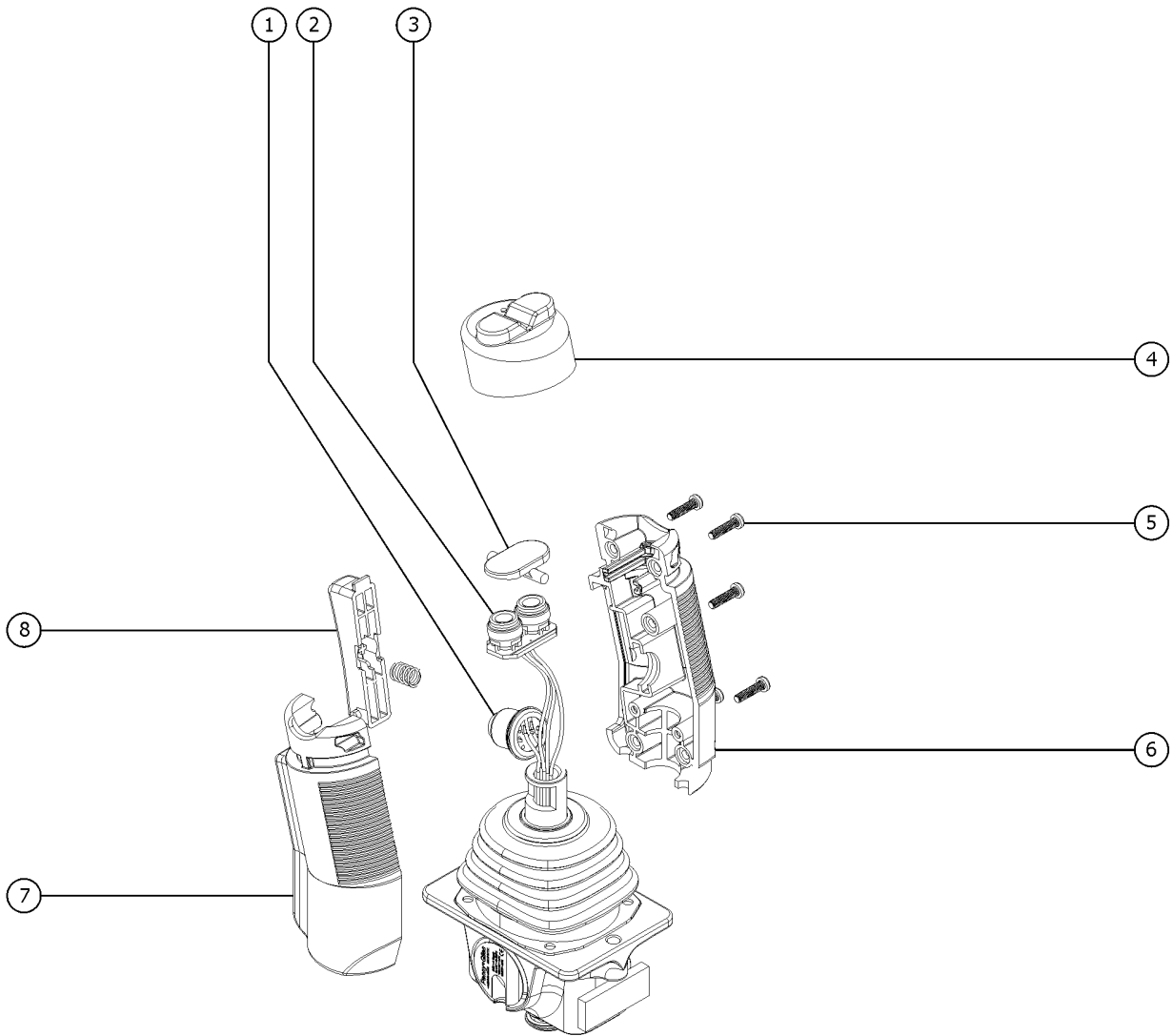




Item	Part No.	Description	Qty.
A-	1256727GT	PCON,STD,PROP LIFT,GR/GS complete platform control box with coil cord, bracket not included	
B-	1258731GT	FLASH DRIVE,SL1K2.0 SOFTWARE (For proportional lift or upgrade kits only. Software update available on-line. Flash drive sold separately.)	
C-	137587GT	HARNESS, ESTOP, GR/GRC/GS PCON	
1	137656GT	DECAL, PROPEL, GR/GRC/GS, PCON (refer to 103.1 or 106.1)	1
2A	39540GT	ALARM,STEADY TONE*** order 72326 mounting ring separately	1
2B	72326GT	NUT - PLASTIC,RING FOR ALARMS for 39540	
3		Ref: UI, GR/GRC/GS PCON DECAL (refer to 103.1 or 106.1)	1
4	66812GT	BUTTON,PUSH,RED MUSHROOM HEAD	1
4-	66817GT	E-STOP W/ NC CONTACT	1
5		Ref: DECAL,E-STOP,GR/GRC/GS PCON (refer to 103.1 or 106.1)	1
6	T106368GT	ENCLOSURE,GC14-1,TOP	1
7	137642GT	LABEL, GR/GRC/GS PCON	1
8	T106373GT	CAP,BUTTON,K12	6
9	1256725GT	PCBA,PCON STD,PROP LIFT	1
10	137637GT	SCREW,PHM,4-20X.5, 48-2 TRI-L	1
11	T106370GT	ENCLOSURE,GC14-1/GC16-1, BOT	1
12	137640GT	SCREW,PHM,8-16X.75, 48-2 TRI-L	1
13	T114397GT	FORMING,PLAT CONTROL BOX	1
14	235464GT	KIT,COIL CORD,CONTRLR,SL1000	1
14-	231921GT	KIT,CONN,RECEPT W/PIN AND LOCK	
14-	231922GT	KIT,CONN,PLUG W/SCKT AND LOCK	
15	137699GT	PLUG, 6POS ECO PWR	1
16		REF: Joystick (refer to 404.1)	1
17	229845GT	SCREW,BHSCS,M5X10,SS apply Loctite 243 or equivalent before installation	



404.1 Joystick Controller Metal Base

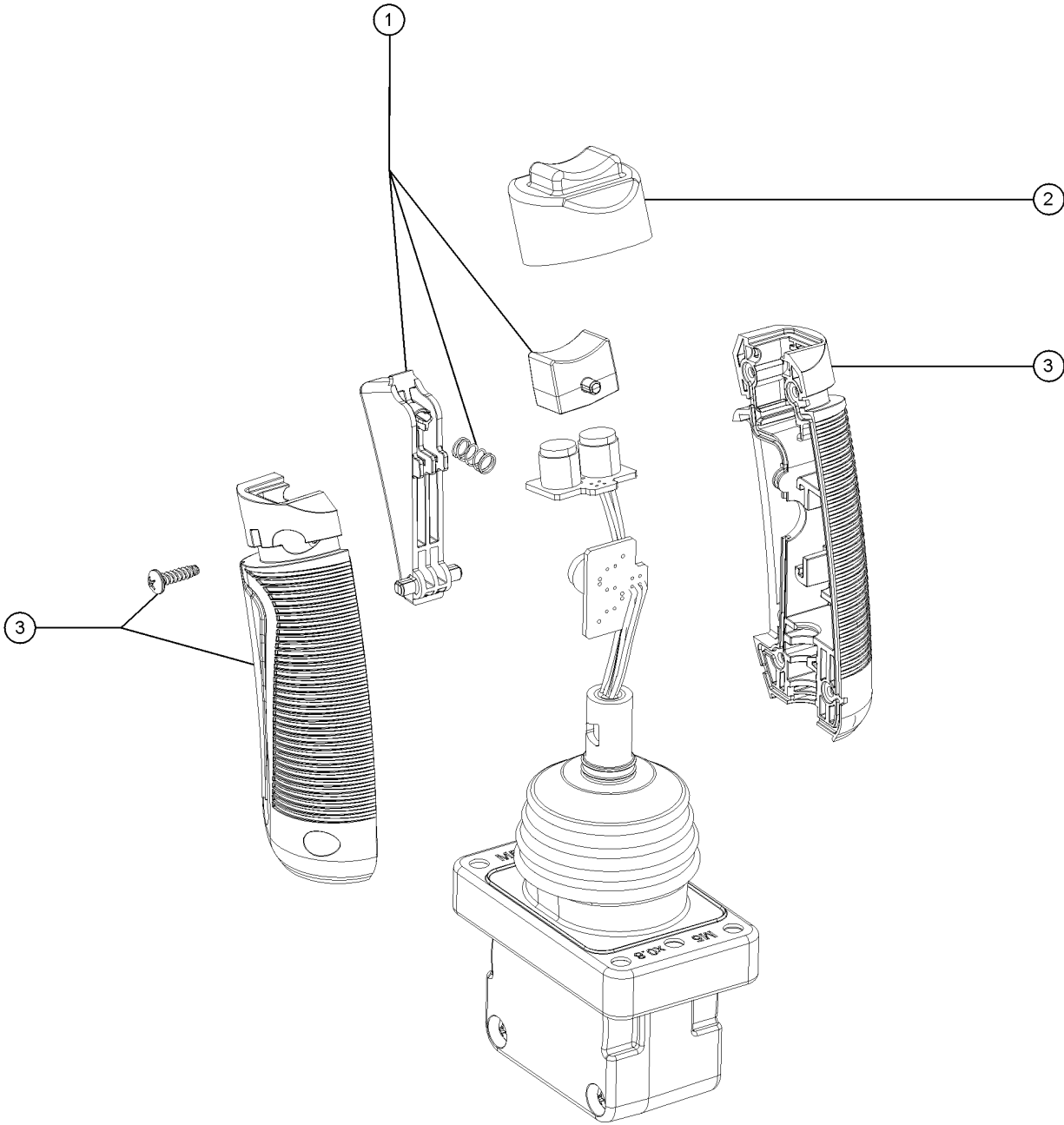


404.1 Joystick Controller Metal Base

Item	Part No.	Description	Qty.
A-	137634GT	JOYSTICK, HALL EFFECT, SINGLE .....	
B-	235462GT	KIT,STR SWITCH,JYSTK,SL1000 .....	
C-	229097GT	TERMINAL, SPLINE (AMP) .....	
1	235463GT	KIT,SWITCH,JYSTK,SL1000 .....	
2	235463GT	KIT,SWITCH,JYSTK,SL1000 .....	
3	229092GT	ROCKER,2 SWITCH .....	1
4	229093GT	BOOT, 2 SWITCH, SILICON .....	1
5	229086GT	SCREW, SELF TAP .....	5
6A	229087GT	HANDLE HALF,RIGHT,W/TOP SWITCH .....	1
6B	229091GT	SCREW,GRUB,M5X8MM,HLF DOG,BZP for 229087 .....	
7A	229088GT	HANDLE HALF,LEFT,W/TOP SWITCH .....	1
7B	229090GT	SCREW,GRUB,M5X8MM CUP(BLK) for 229088 .....	
8A	229089GT	TRIGGER, EXTENDED .....	1
8B	229094GT	SPRING, HANDLE TRIGGER .....	1



404.2 Joystick Controller Plastic Base

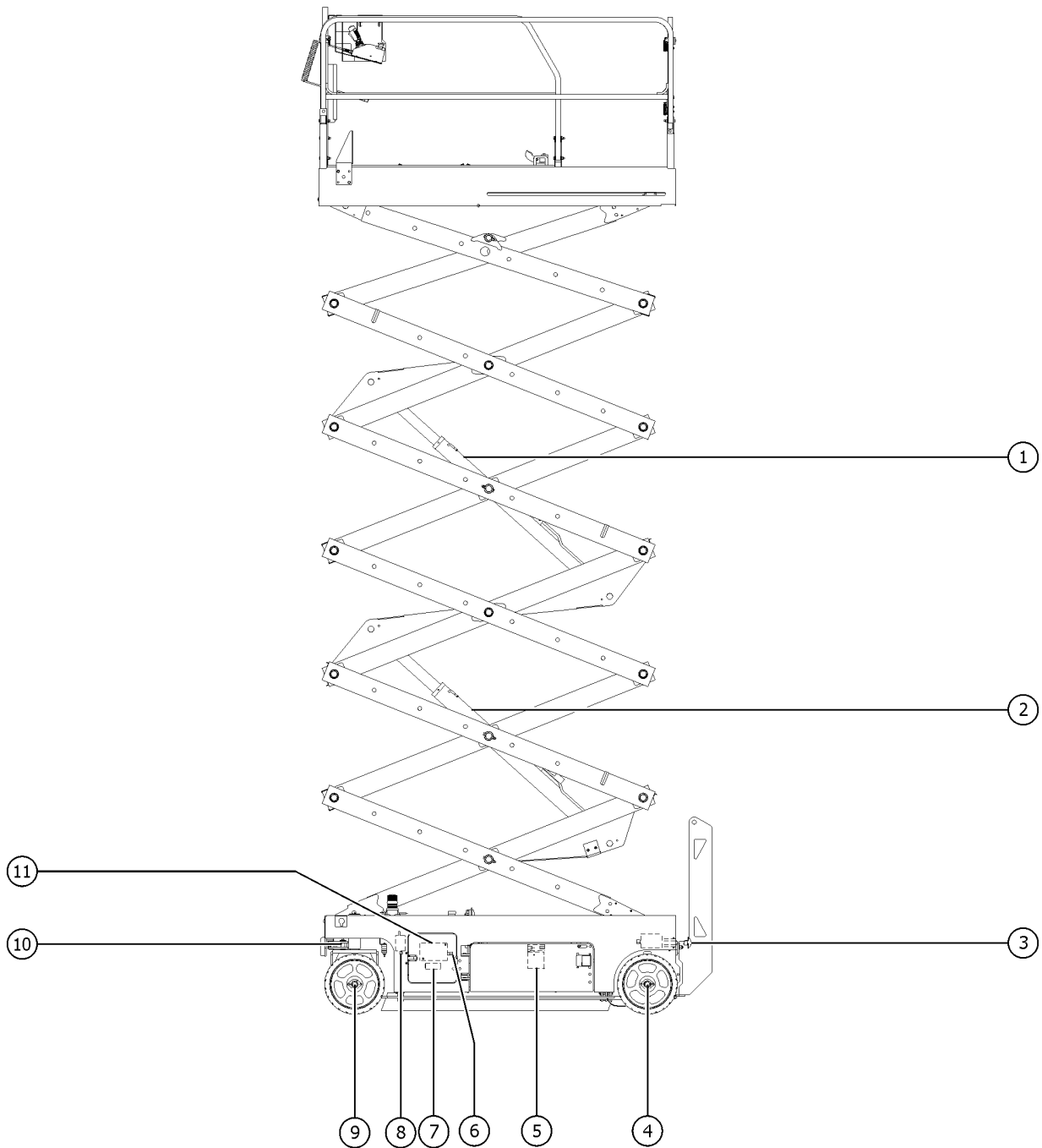


404.2 Joystick Controller Plastic Base

<i>Item</i>	<i>Part No.</i>	<i>Description</i>	<i>Qty.</i>
1	1314756GT	KIT, JOYSTICK, SWITCH ACTUATORS .....	
2	1314755GT	BOOT, JOYSTICK, SINGLE AXIS, SUREGRIP .....	
3	1314754GT	KIT, JOYSTICK, HANDLE HALVES AND SCREWS .....	



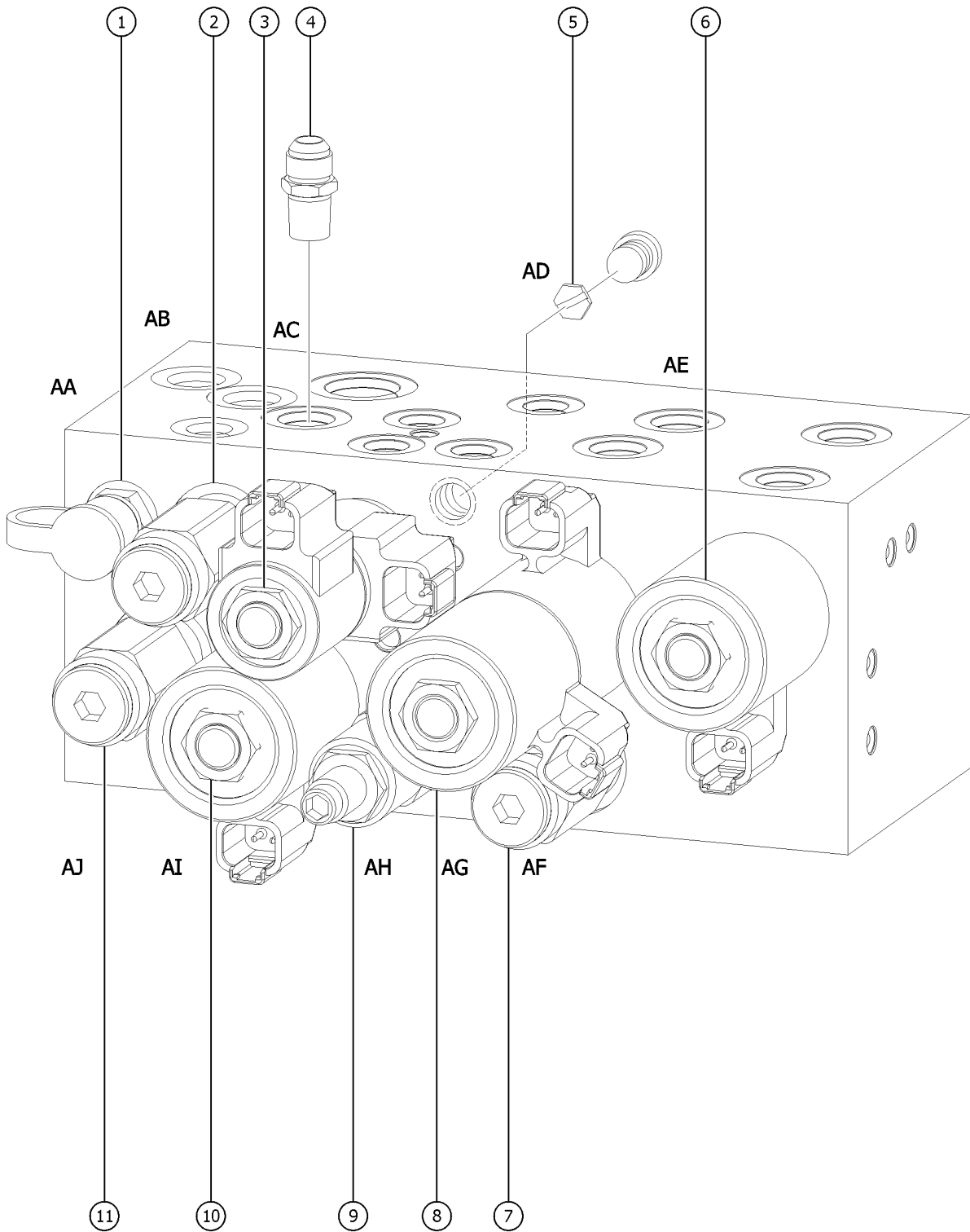
501.1 Hydraulic Components



Item	Part No.	Description	Qty.
1		Ref: Upper Lift Cylinder ..... (refer to 505.1)	
2		Ref: Lower Lift Cylinder ..... (refer to 505.1)	
3		Ref: Brake Release Hand Pump ..... (refer to 503.1)	
4	T108664GT	BRAKE, HYDRAULIC, 15KIP-IN .....	2
5	78622GT	FILTER ASSY, SAE8, 10 MIC, PAPER** .....	1
5-	44207GT	FILTER ELEMENT, BETA(10)=200 .....	
5-	44788GT	FILTER ELEMENT-10MICRON, PAPER* .....	
6		Ref: Check Valve ..... (refer to 502.1)	
7		Ref: Accumulator ..... (refer to 211.1)	
8		Ref: Lift Pressure Select Manifold ..... (refer to 211.1)	
9	T108663GT	DRIVE MOTOR, 22.9CI/REV .....	2
9-	96419GT	SEAL KIT, RC SERIES DR MOTOR*** ..... (for PN T108663)	
9-	44780GT	NUT, CASTLE, 1.125-18 UNEF .....	
10	105547GT	CYLINDER, GS/GR STEER*** .....	1
10-	105550GT	KIT, STEER CYL SEAL .....	
10-	1298556GT	CYLINDER, GS/GR STEER .....	1
10-	1301219GT	SEAL KIT, CYLINDER, GS/GR STEER ..... First line of engraving near rod end of barrel begins with 27894	
11		Ref: Function Manifold ..... (refer to 502.1)	



502.1 Function Manifold

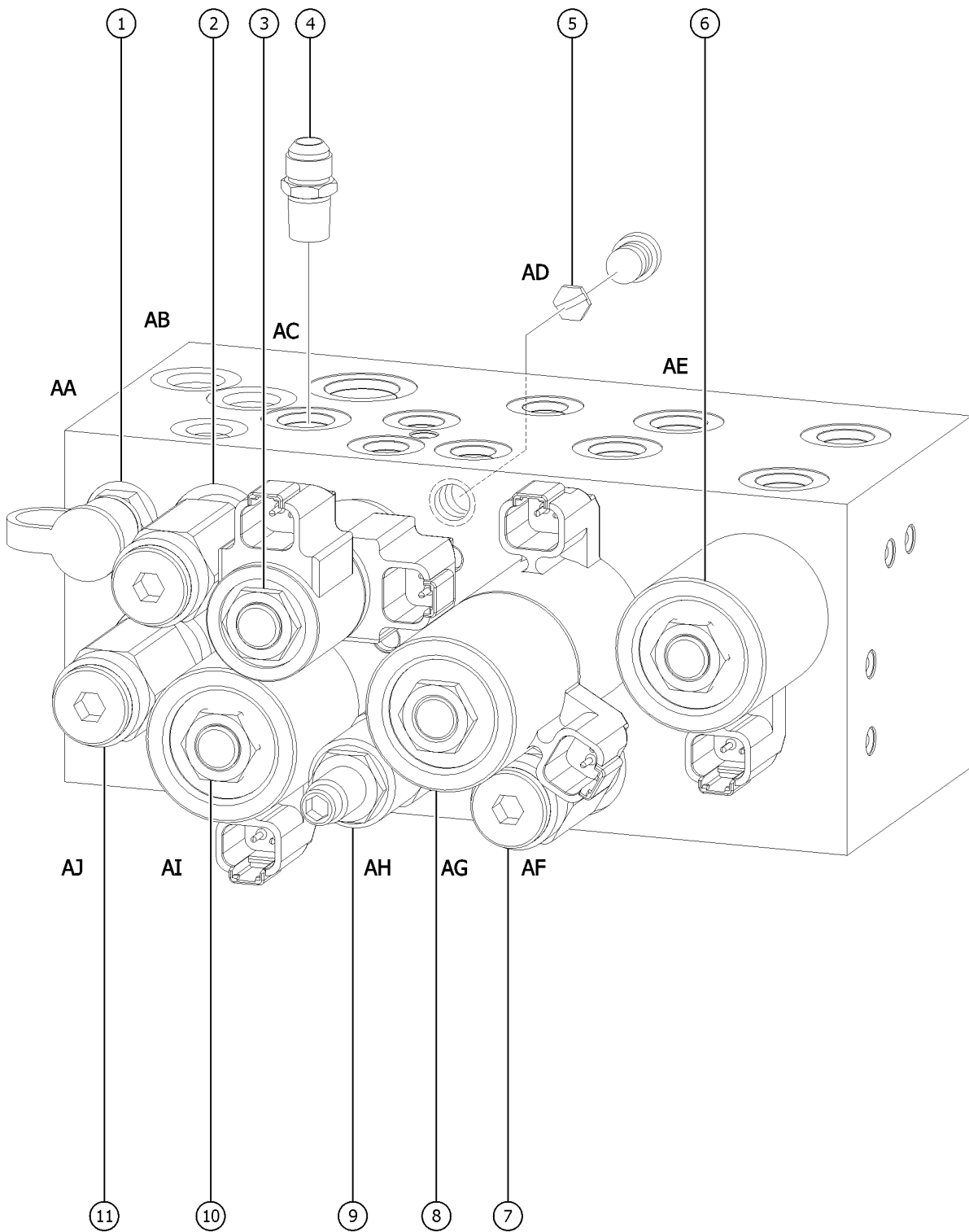




Item	Part No.	Description	Qty.
A	150105GT	MANIFOLD,FUNCTION,2 SPEED (does not include check valve, item 4)	
B	49612GT	O-RING KIT (ORFS FITTINGS)	
C	49613GT	PLUG AND CAP KIT-SERVICE,ORFS*	
1	48997GT	NIPPLE, DIAGNOSTIC, #4 (AA, Testing)	
1-	20224GT	DIAGNOSTIC FEMALE Q-DSCNT	
1-	48880GT	CAP, DIAGNOSTIC NIPPLE	
2	65962GT	VALVE-RELIEF, 3700 PSI #8** (AB, System relief).	
2B	1299590GT	VALVE, FUNCTION MANIFOLD RELIEF, 3700PSI (AB, System relief).	
2B-	44226GT	SEAL KIT-FOR P.N.44167	
3	44168GT	VALVE,SOLENOID,3POS 4WAY (AC, Steer left/right)	
3-	44174GT	NUT-COIL SHORT (sold separately)	
3-	44229GT	SEAL KIT, VALVE	
3-	44236GT	SPACER-DUAL COIL,#8*** (sold separately)	
3-	77709GT	COIL,#8 20VDC,DEUTSCH W/DIODE (sold separately)	
4	237086GT	HOSE,UPPER VENT (sold separately)	
5	84386GT	CHECK DISK, NO SPRING (AD, Steer circuit)	
6	44171GT	VALVE-SOLENOID,2POS 4WAY** (AE, Drive speed select circuit)	
6-	44175GT	SPACER-DUAL COIL,#10, SCISSORS (sold separately)	
6-	44230GT	SEAL KIT-P.N.44169,44172,44171	
6-	84385GT	COIL,20VDC DEUTCSH W/DIODE (sold separately)	
7	97409GT	VALVE,DIFF.AREA RELIEF,50PSI (AF, Brake release)	
8	150104GT	VALVE, DYN. BRAKING, GS32/46	
8-	44175GT	SPACER-DUAL COIL,#10, SCISSORS (sold separately)	
8-	84385GT	COIL,20VDC DEUTCSH W/DIODE (sold separately)	
9	84384GT	PRTY,FLOW CNTRL VALVE,.75 GPM (AH, Steer circuit)	
9-	1261888GT	SEAL KIT (84384) for 84384	
9-	44230GT	SEAL KIT-P.N.44169,44172,44171	
10	44169GT	VALVE-SOLENOID, 2POS 4 WAY (AI, Platform up)	

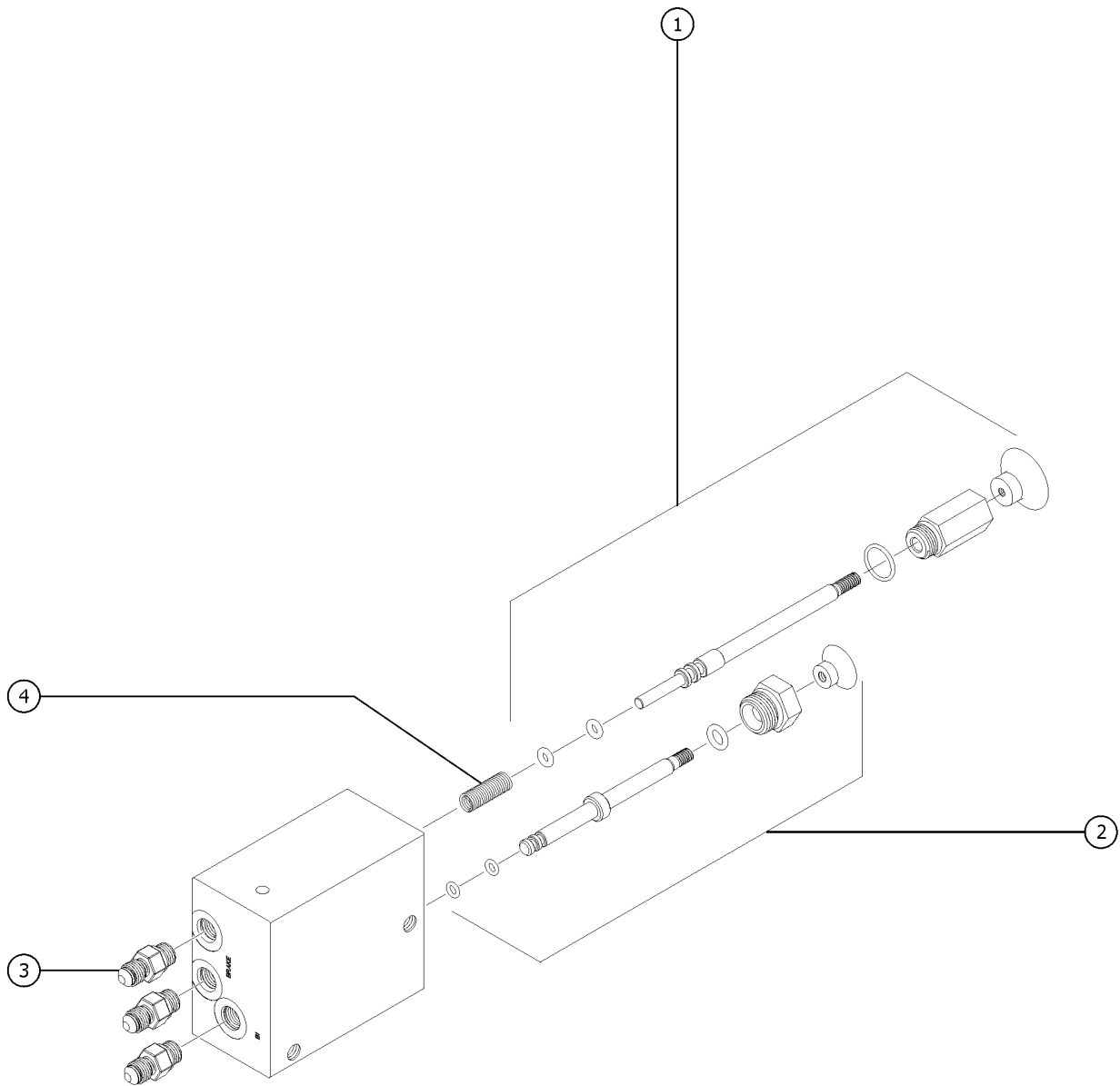


502.1 Function Manifold



<i>Item</i>	<i>Part No.</i>	<i>Description</i>	<i>Qty.</i>
10-	44175GT	SPACER-DUAL COIL,#10, SCISSORS ..... (sold separately)	
10-	44230GT	SEAL KIT-P.N.44169,44172,44171 .....	
10-	84385GT	COIL,20VDC DEUTCSH W/DIODE ..... (sold separately)	
11	65962GT	VALVE-RELIEF, 3700 PSI #8** ..... (AJ, Lift relief).	
11B	1299590GT	VALVE, FUNCTION MANIFOLD RELIEF, 3700PSI ..... (AJ, Lift relief).	
11B-	44226GT	SEAL KIT-FOR P.N.44167 .....	

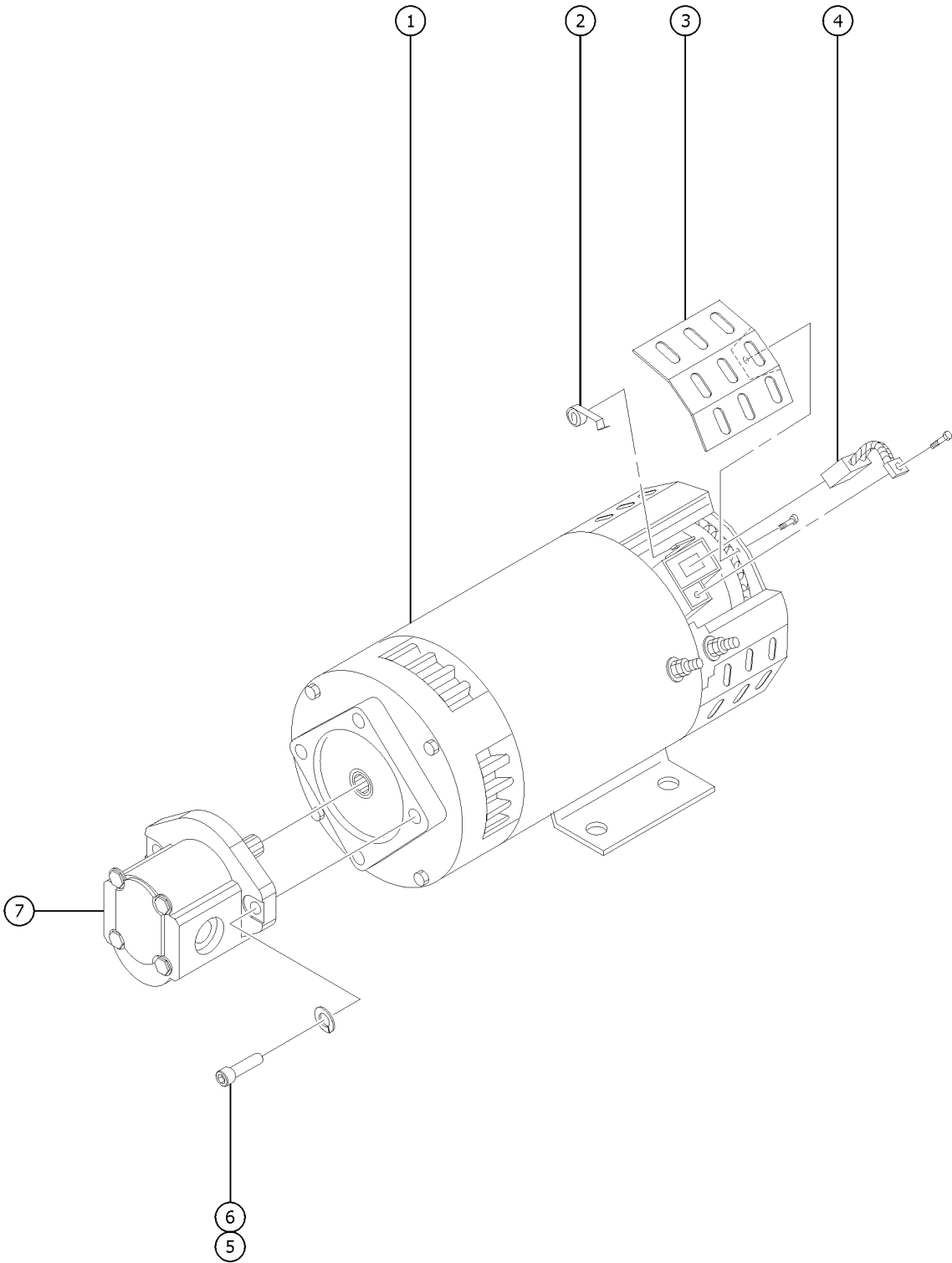
503.1 Brake Release Hand Pump Manifold



503.1 Brake Release Hand Pump Manifold

Item	Part No.	Description	Qty.
	105067GT	MANIFOLD,BRAKE RELEASE ..... (includes items 1, 2 and 4)	
1	84739GT	VALVE,HAND PUMP ASSEMBLY*** .....	1
1-	84740GT	SEAL KIT,HAND PUMP*** .....	
1-	84742GT	KNOB,HAND PUMP (RED)*** .....	
2	84743GT	VALVE,PILOT OPERATED ASSEMBLY* .....	1
2-	84740GT	SEAL KIT,HAND PUMP*** .....	
2-	84746GT	KNOB,PILOT OP VALVE (BLACK)*** .....	
3		Ref: Connector ..... (refer to 506.1)	3
4	84748GT	SPRING,HAND PUMP ROD .....	1

504.1 Hydraulic Power Unit

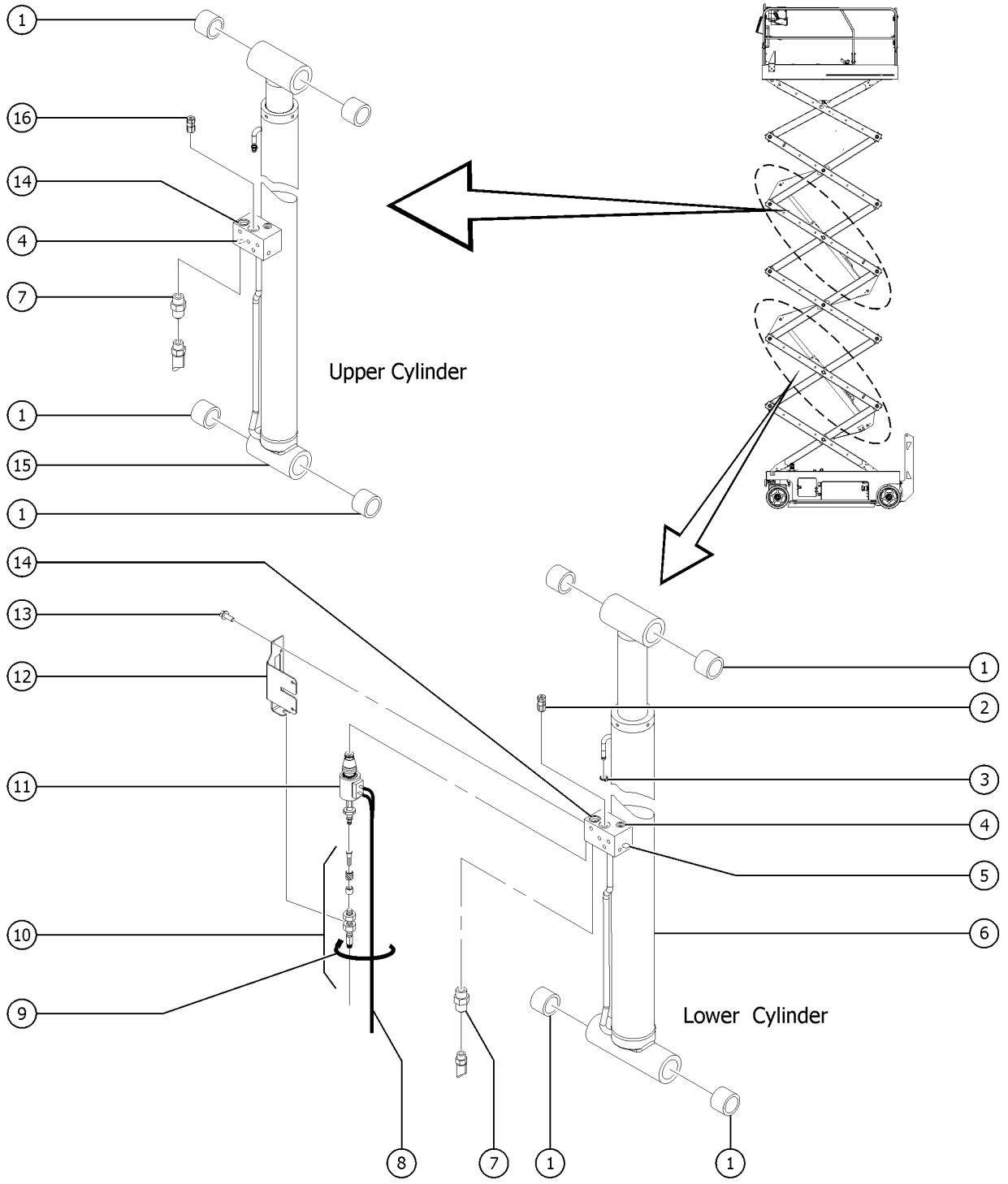


504.1 Hydraulic Power Unit

<i>Item</i>	<i>Part No.</i>	<i>Description</i>	<i>Qty.</i>
1	40844GT	MOTOR,ELECTRIC,24VDC 4.5HP .....	1
1-	43685GT	SEAL KIT,LIFT PUMP,BARNES** .....	
1-	44777GT	BEARING,MOTOR .....	
1-	44778GT	BEARING,MOTOR,36843,BRUSH END* .....	
2	44750GT	SPRING-BRUSH,40844, SCISSORS .....	
3	44752GT	COVER-BRUSH INSPEC.40844,SCISS .....	4
4	44751GT	BRUSH,PWR UNIT (40844)** .....	4
5	824100GT	SCREW,SHC,3/8-24X1.25,A574,ZAG .....	4
6	824110GT	WASHER, LOCK, 3/8, ZAG .....	4
7	T108662GT	PUMP,5.6CC GEAR,CCW .....	1
7-	236837GT	SEAL KIT,PUMP,5.6CC GEAR .....	
		For Bosch PN 9510290037	



505.1 Lift Cylinder Assemblies



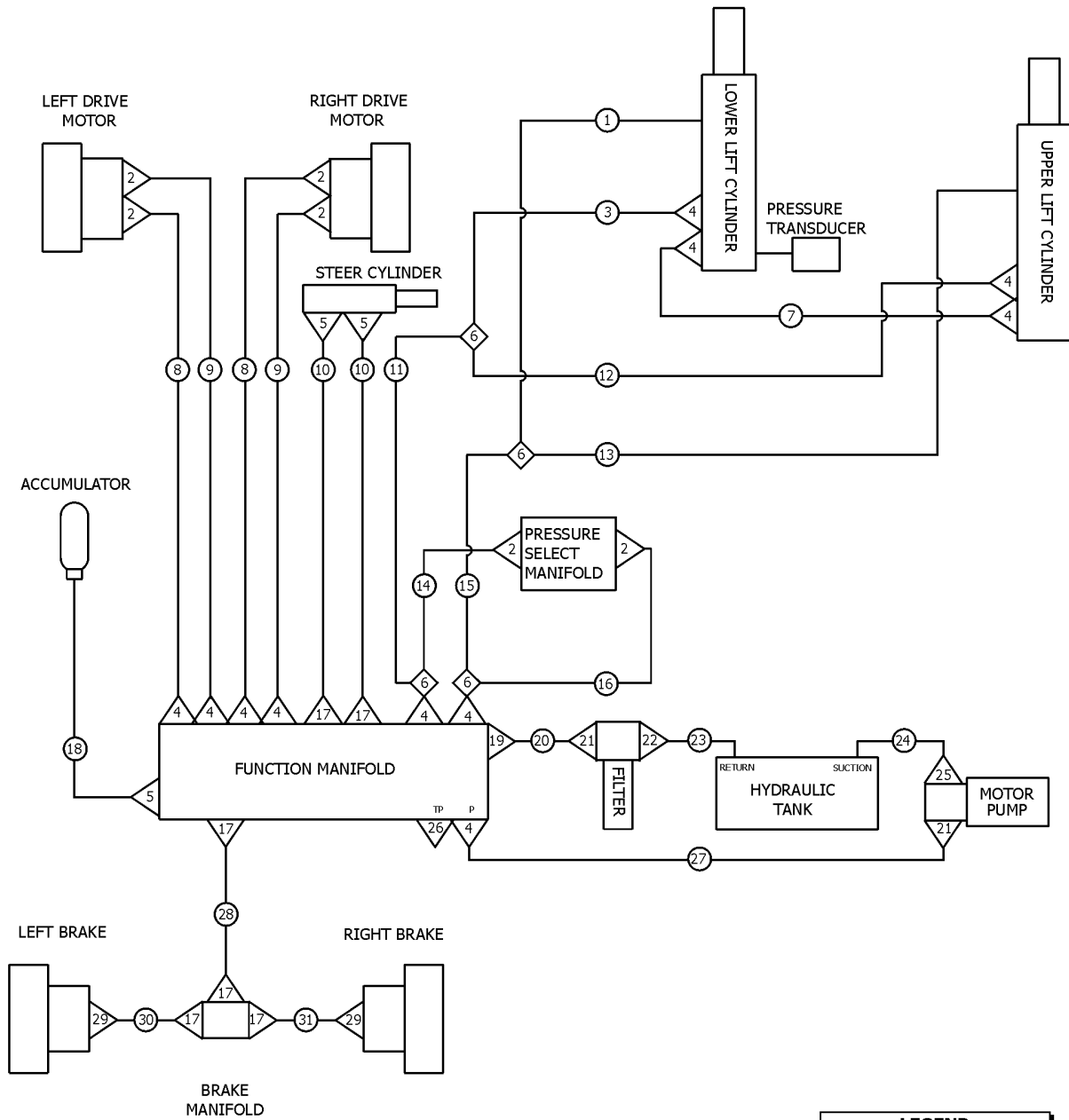


505.1 Lift Cylinder Assemblies

Item	Part No.	Description	Qty.
1	30738GT	BEARING,1.50IDX2.00ODX1.50LG .....	8
2	214817GT	ORIFICE, LONG, .076" .....	1
3	96770GT	CLAMP, HOSE, 1 EAR, 11/16 .....	1
4	52368GT	VALVE,CHECK,GS68 (SIZE8 8) .....	2
5	237472GT	PRESSURE TRANSDUCER,1K-3K PSI .....	1
6	1264781GT	LOWER CYL,4047 LIFT,3.5" BORE, .....	1
6-	1282019GT	SEAL KIT,LOWER CYLINDER,4047 LIFT .....	
		for 1264781	
7	39878GT	CONNECTOR, 070120-6-6 .....	4
		(two per cylinder)	
8		Ref. Down Coil Wire Harness .....	
		(Refer to 210.1)	
9	28443GT	CABLE TIE, 11.5" BLACK .....	3
10		Ref. Emergency Down Cable .....	
		(Refer to 203.1)	
11	229615GT	VALVE, PROPORTIONAL, SP08-20 .....	1
		(includes 44973)	
12	41557-SGT	CABLE BRACKET,PAINTED .....	1
13	824077GT	SCREW,HHF,1/4-20X.5,8,ZAG .....	2
14	237455GT	VALVE,RELIEF,2900 PSI,BOSCH .....	2
		(one per cylinder)	
15	1264780GT	UPPER CYL,4047 LIFT,3" BORE,DO .....	1
15-	1282018GT	SEAL KIT,UPPER CYLINDER,4047 LIFT .....	
		for 1264780	
16	55560GT	ORIFICE,LONG, .059" .....	1



506.1 Hydraulic Hoses and Fittings

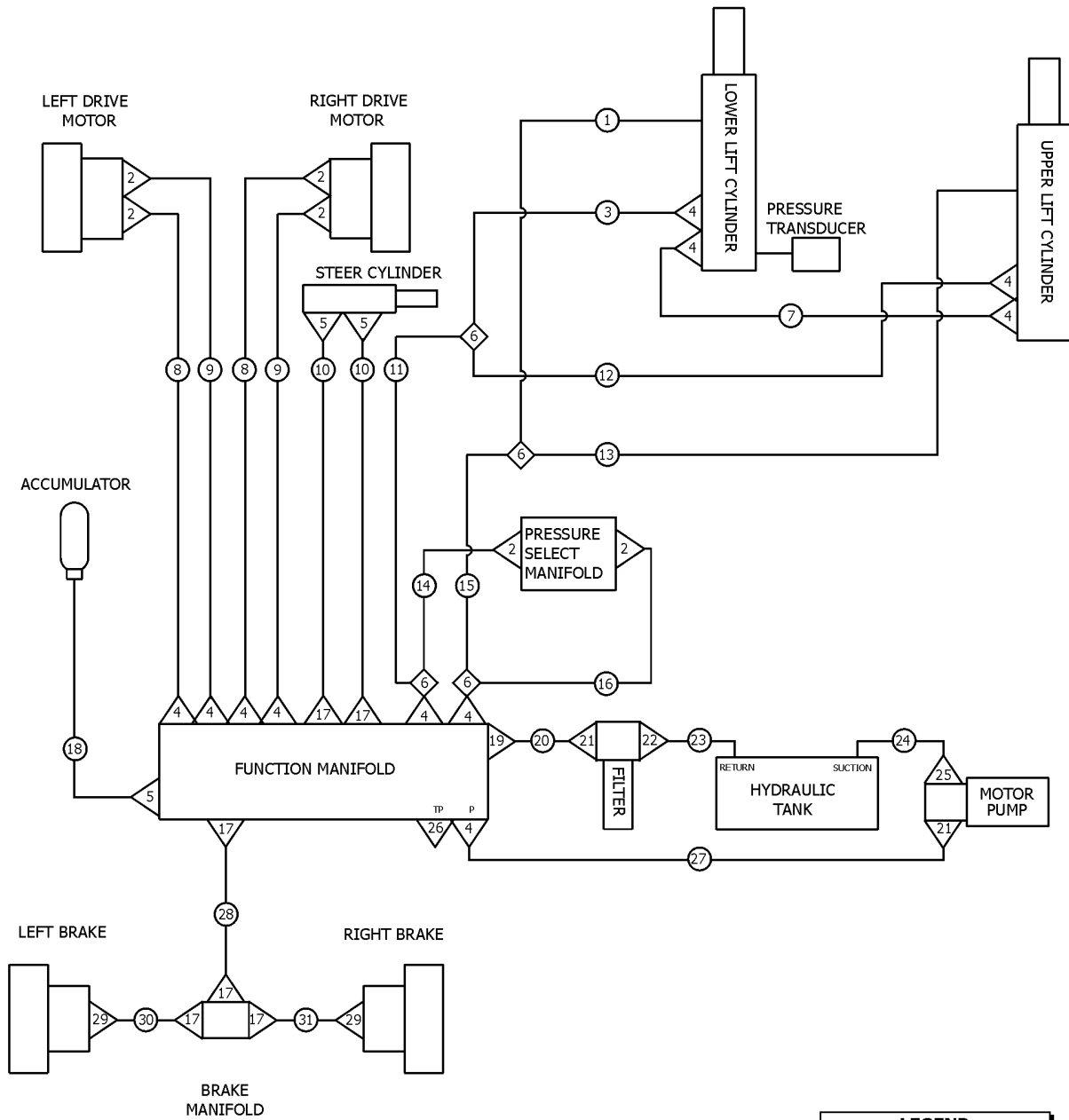


LEGEND	
	ADAPTER
	HOSE ASSEMBLY
	UNION

Item	Part No.	Description	Qty.
		The hose lengths below reflect the length of the hose only. Refer to the 'Fittings Cross Reference' to match Genie part numbers to Parker part numbers.	
	216276GT	WIRE LOOM, BLACK SPIRAL, 1.10" .....	98
1	96882GT	HOSE, LOWER VENT (Components: 75631 @ 161 inches) .....	1
2	39873GT	ELBOW, 07022-6-6 .....	6
3	105046GT	HOSE ASSY, LOWER LIFT (Components: 39890, 47223, and 56776 @ 127 inches) .....	1
4	39878GT	CONNECTOR, 070120-6-6 .....	11
5	13921GT	ELBOW, 070220-4-4 .....	3
6	51152GT	TEE, RUN 070432-6***** .....	4
7	1260603GT	HOSE, ASSY, CYL TO CYL (Components: 39890, 39890, and 56776 @ 336 inches) .....	1
8	105801GT	HOSE ASSY, DRIVE MOTORS, GS46 (Components: 39890, 39890, and 56776 @ 60 inches) .....	2
9	105580GT	HOSE ASSY, DRIVE MOTORS, GS46 (Components: 39890, 39890, and 56776 @ 64 inches) .....	2
10	105578GT	HOSE, ASSY STEER, GS32/46 (Components: 78855, 78855, and 78852 @ 36 inches) .....	2
11	96750GT	HOSE, ASSY, LIFT (Components: 39890, 39890, and 56776 @ 42 inches) .....	1
12	1260604GT	HOSE, ASSY, UPPER LIFT (Components: 39890, 39891, and 56776 @ 342 inches) .....	1
13	1260605GT	HOSE, VENT, UPPER (Components: 105045 and 75631 @ 372 inches) .....	1
14	215749GT	HOSE, ASSY, PRESS SELECTOR, PRESS (Components: 39890, 39890, and 56776 @ 17 inches) .....	1
15	96881GT	HOSE, LOWER VENT (Components: 96406, 96407, and 75631 @ 42 inches) .....	1
16	236917GT	HOSE, ASSY, PRESSURE SELECTOR Components: 96406, 105045, and 75631 @ 18 inches) .....	1
17	39877GT	CONNECTOR, 070120-4-4 .....	6
18	105246GT	HOSE ASSY, MAN/ACCUM, GS32/46 (Components: 78855, 78855, and 78852 @ 17 inches) .....	1
19	66389GT	CONN, 070120-8-6 .....	1
20	236914GT	HOSE, ASSY, MAN TO FILTER (Components: 96406, 96406, and 75631 @ 55 inches) .....	1
21	39876GT	ELBOW, 070220-6-8 .....	2
22	96398GT	CONNECTOR, 070120-12-8 .....	1
23	228339GT	ASSEMBLY, TANK RETURN, TUBE .....	1
24	96354GT	TUBE, ASSY, DRAW .....	1
25	22664GT	ELBOW, 070220-12-10 .....	1
26	48997GT	NIPPLE, DIAGNOSTIC, #4 .....	1



506.1 Hydraulic Hoses and Fittings



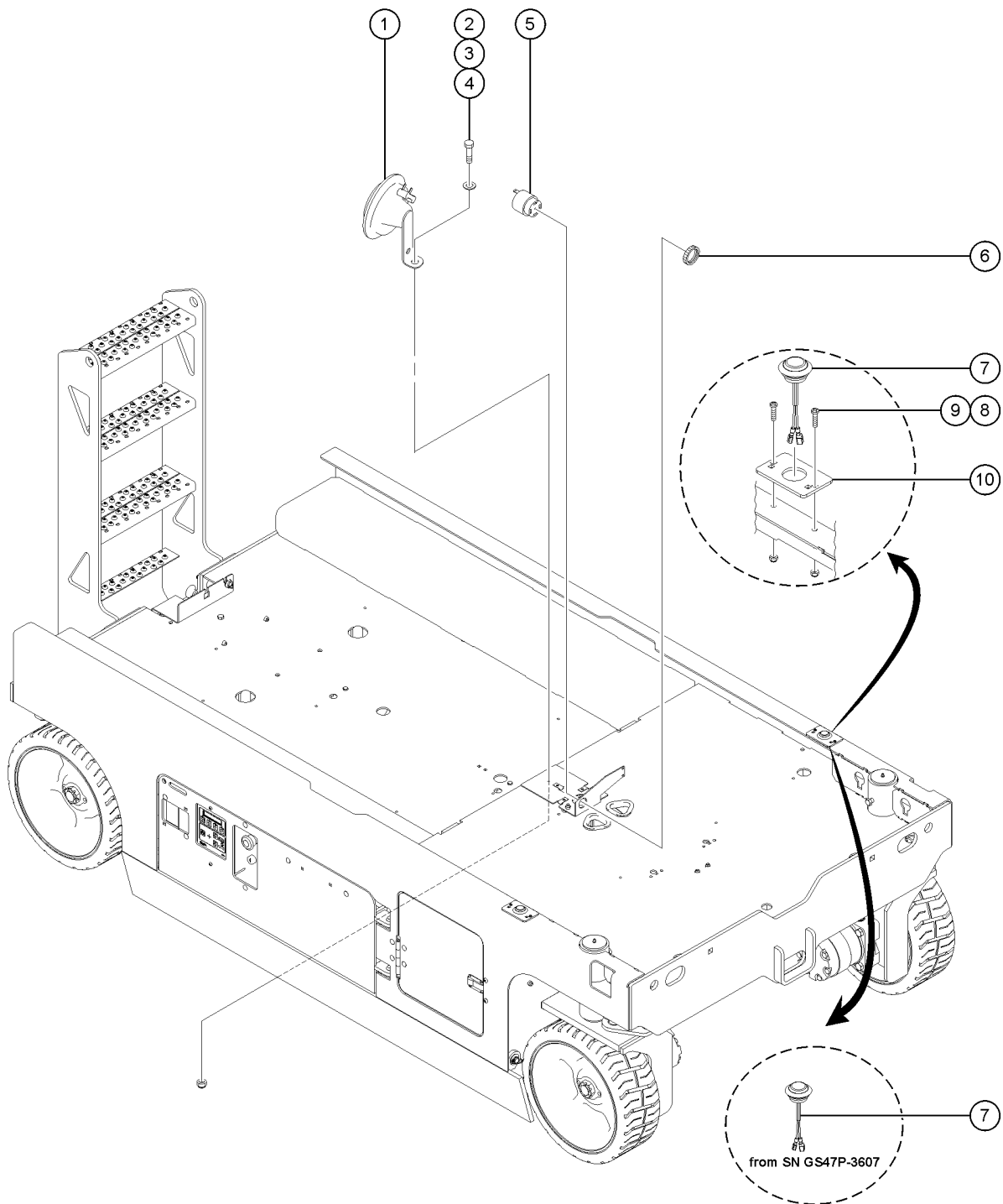
LEGEND	
	ADAPTER
	HOSE ASSEMBLY
	UNION

506.1 Hydraulic Hoses and Fittings

<i>Item</i>	<i>Part No.</i>	<i>Description</i>	<i>Qty.</i>
27	105801GT	HOSE ASSY,DRIVE MOTORS,GS46 .....	1
28	105577GT	HOSE,ASSY,BRAKE,GS46 (Components: 78855, 78855, and 78852 @ 65 inches) .....	1
29	45351GT	ELBOW, 070320-4-4 .....	2
30	105803GT	HOSE,ASSY, BRAKE MAN,GS46 (Components: 78855, 78855, and 78852 @ 22 inches) .....	1
31	96749GT	HOSE, ASSY, BRAKE MAN, GS46 (Components: 78855, 78855, and 78852 @ 20 inches) .....	1



601.1 Alarm, Horn and Flashing Beacons

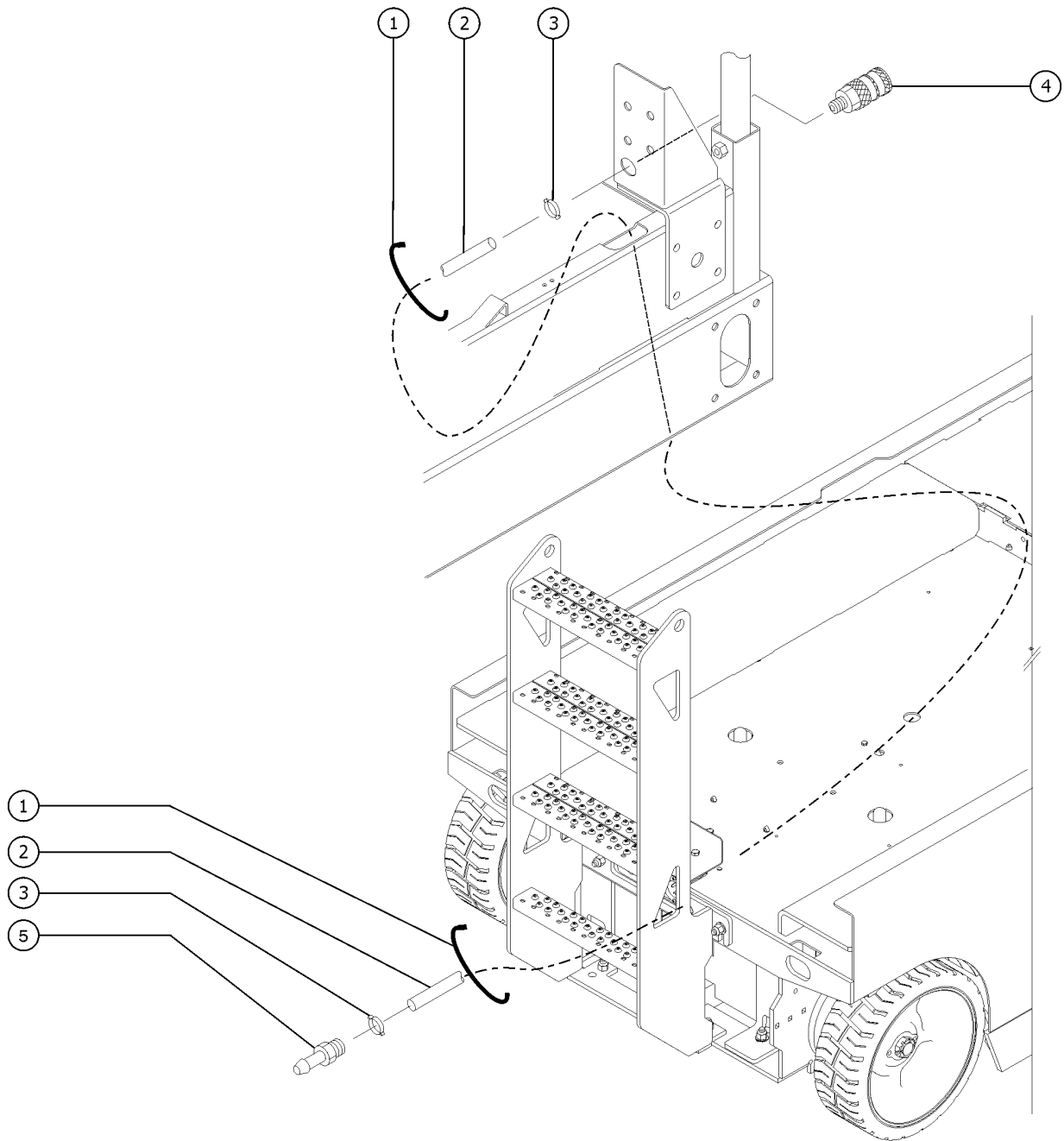


601.1 Alarm, Horn and Flashing Beacons

Item	Part No.	Description	Qty.
-	1260386GT	VISUAL ALARM SUPPLEMENT .....	
1	81579GT	HORN, 24VDC, SPADE TERMINALS*** .....	1
2	8914GT	SCREW,HHC,1/4-20 X .625 .....	
		to SN 147692	
2B	1275722GT	ISOLATOR,HORN,5/16-18 THRD .....	
		from SN 147693 (not shown)	
3	6638GT	WASHER, FLAT, USS, 1/4"Y .....	
		to SN 147692	
4	6091GT	NUT, NYLOCK, 1/4-20 .....	
		to SN 147692	
4B	1274167GT	NUT,NYLOCK FLG,5/16-18,F,ZAG .....	
		from SN 147693	
5	39540GT	ALARM,STEADY TONE*** .....	1
		Does not include 72326 nut	
6	72326GT	NUT - PLASTIC,RING FOR ALARMS .....	1
7	1261183GT	ASSEMBLY,VISUAL IND LIGHT .....	2
		to SN GS47P-3606	
7-	1254572GT	LIGHT,TURN SIGNAL,1.25" LED,AM .....	
		to SN GS47P-3606	
7-	1261526GT	HARNESS,VISUAL IND LIGHTS,MINI .....	
		to SN GS47P-3606	
7B	1270162GT	ASSEMBLY, BEACON LED, 24V .....	2
		from SN GS47P-3607	
7B-	1270662GT	HARNESS, BEACON, LED, LARGE .....	1
		from SN GS47P-3607	
8	9116GT	BOLT,CARRIAGE,1/4-20 X 1.25,G2 .....	4
		to SN GS47P-3606	
9	6889GT	NUT,LP NYLOCK,1/4-20 .....	4
		to SN GS47P-3606	
10	1261143GT	PLATE,VISUAL IND LIGHT MOUNT .....	2
		to SN GS47P-3606	



602.1 Air Line to Platform



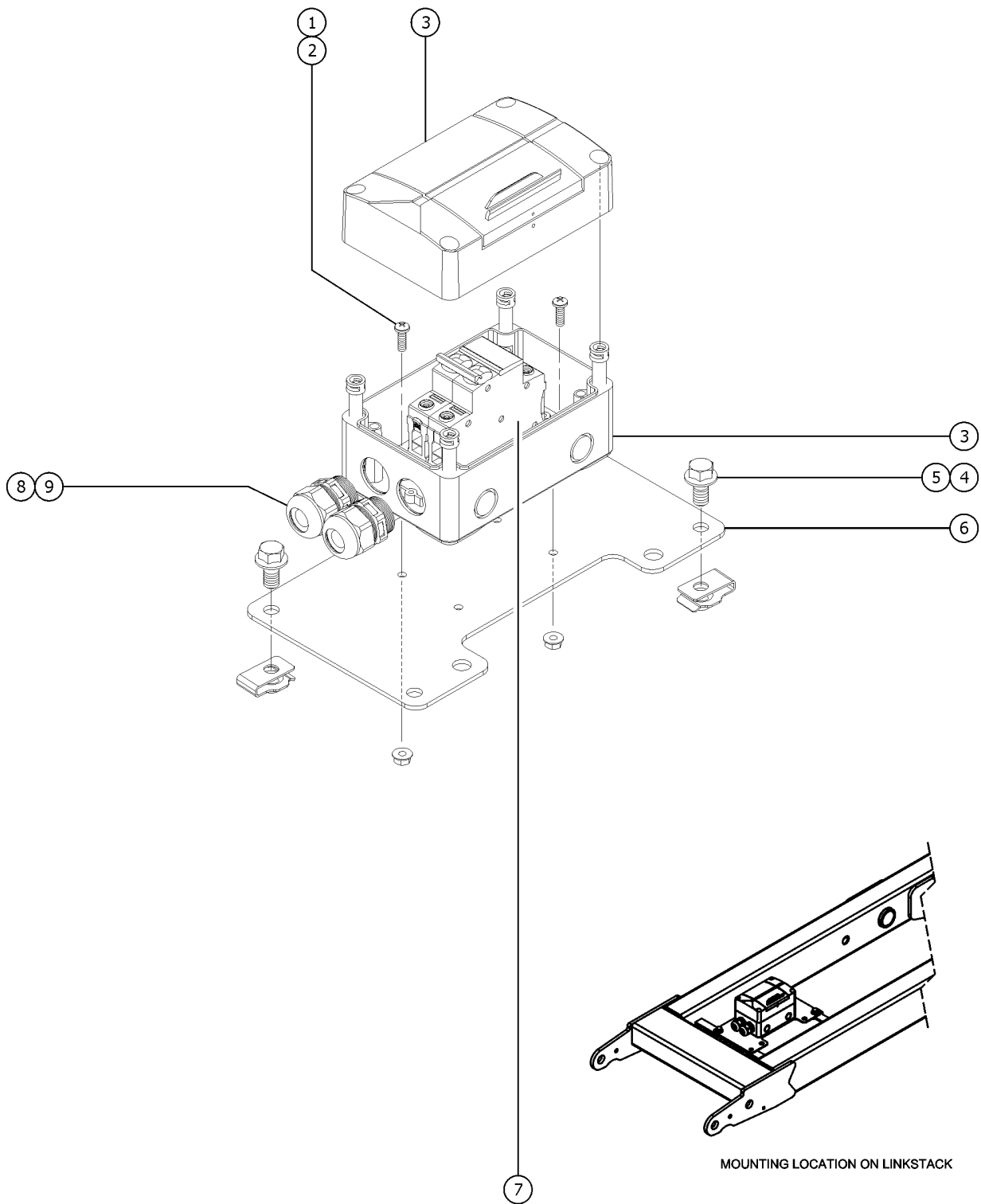


602.1 Air Line to Platform

<i>Item</i>	<i>Part No.</i>	<i>Description</i>	<i>Qty.</i>
1	28443GT	CABLE TIE, 11.5" BLACK .....	
2	27903GT	HOSE,LOW PRESSURE,.375 ID,BLK .....	700
2B	1281118GT	HOSE, AIR-PLAT, GS4047 (PLATFORM) hose assembly includes fittings (platform) (305 in) .....	1
2B-	105959GT	ELBOW,90,3/8"NPT,MALE .....	
2B-	105958GT	COUPLER,INTERFACE,RECTUS 25 .....	
2C	1281117GT	HOSE, AIR-PLAT, GS4047 (DRIVE CHASSIS) hose assembly includes fittings (chassis) (395 in) .....	1
2C-	1281119GT	FITTING, 3/8", BARB-BARB .....	
3	45454GT	CLAMP,0.75,#12 X 3/8,RUB CUSH* .....	1
4	96354GT	TUBE, ASSY, DRAW .....	1
5	96542GT	PLUG,1/4"SERIES,3/8 P-LOCK*** .....	1



603.1 RCBO

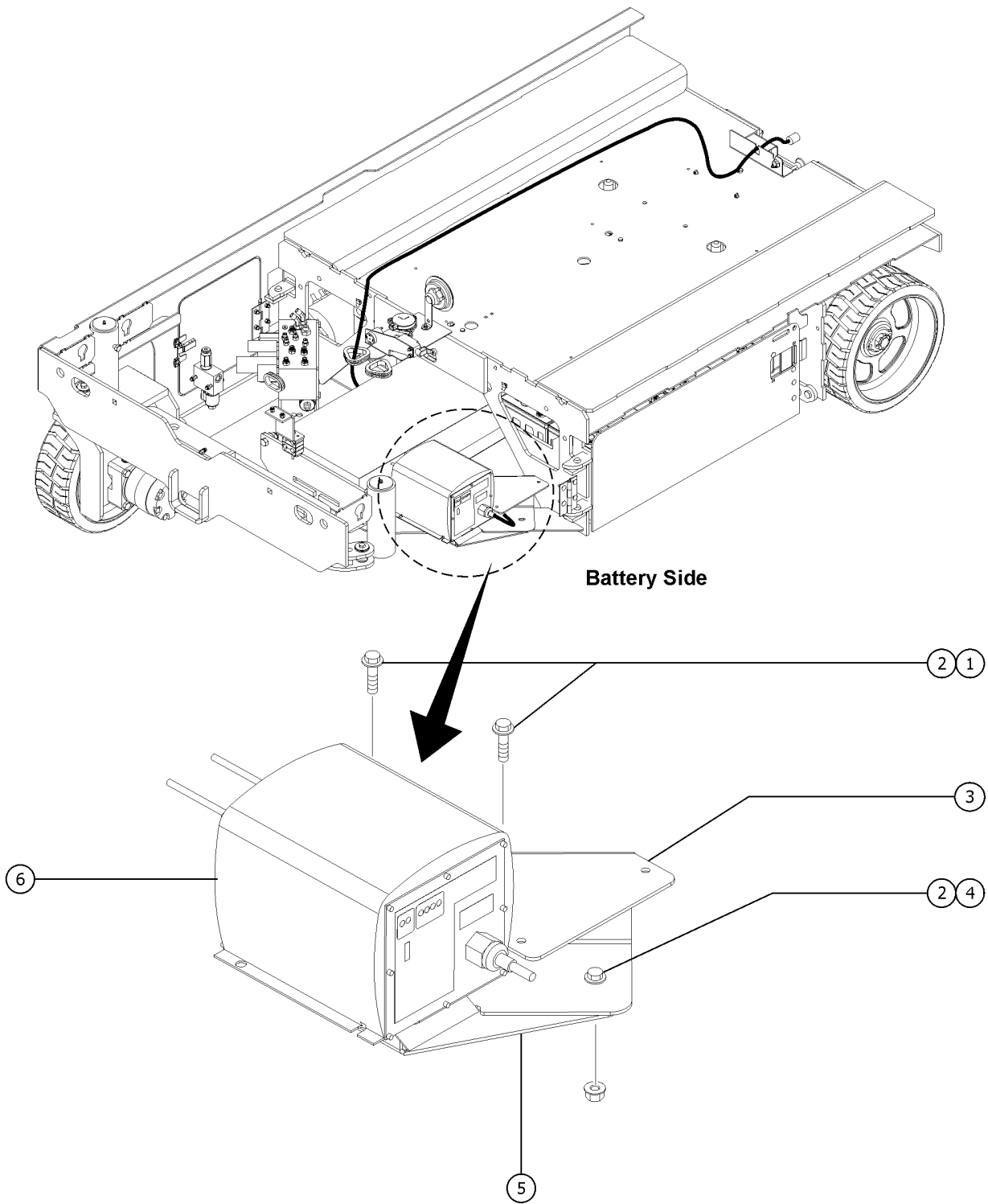


603.1 RCBO

<i>Item</i>	<i>Part No.</i>	<i>Description</i>	<i>Qty.</i>
1	1257227GT	SCREW,PHPM,10-32X.625,ZAG .....	2
2	1256467GT	NUT,TL FLG,10-24,F,ZAG .....	2
3	1269086GT	ENCLOSURE, FUSE, MODULAR, 100X150X96, IP65 .....	1
4	824089GT	SCREW, HHF, 3/8-16 X .75, 8, ZAG .....	2
5	29868GT	SPRING CLIP,3/8-16,.05-.20X.73,ZAG .....	2
6	1274540GT	PLATE, RCBO, GS .....	1
7	231868GT	RCBO,16A,30MA,6KA 110/230V AC .....	1
8	1269087GT	CONNECTOR, SQUEEZE, M25 6-13MM .....	2
9	1269107GT	NUT, PLASTIC, M25, GREY .....	2
10	43956GT	WIRE CABLE, 14/GA/3 CON. TPE JKT* not shown .....	115
11	1262911GT	SLEEVE, CABLE-END, 14AWG, 2.5MM for 43956 .....	6



604.1 Voltage Inverter

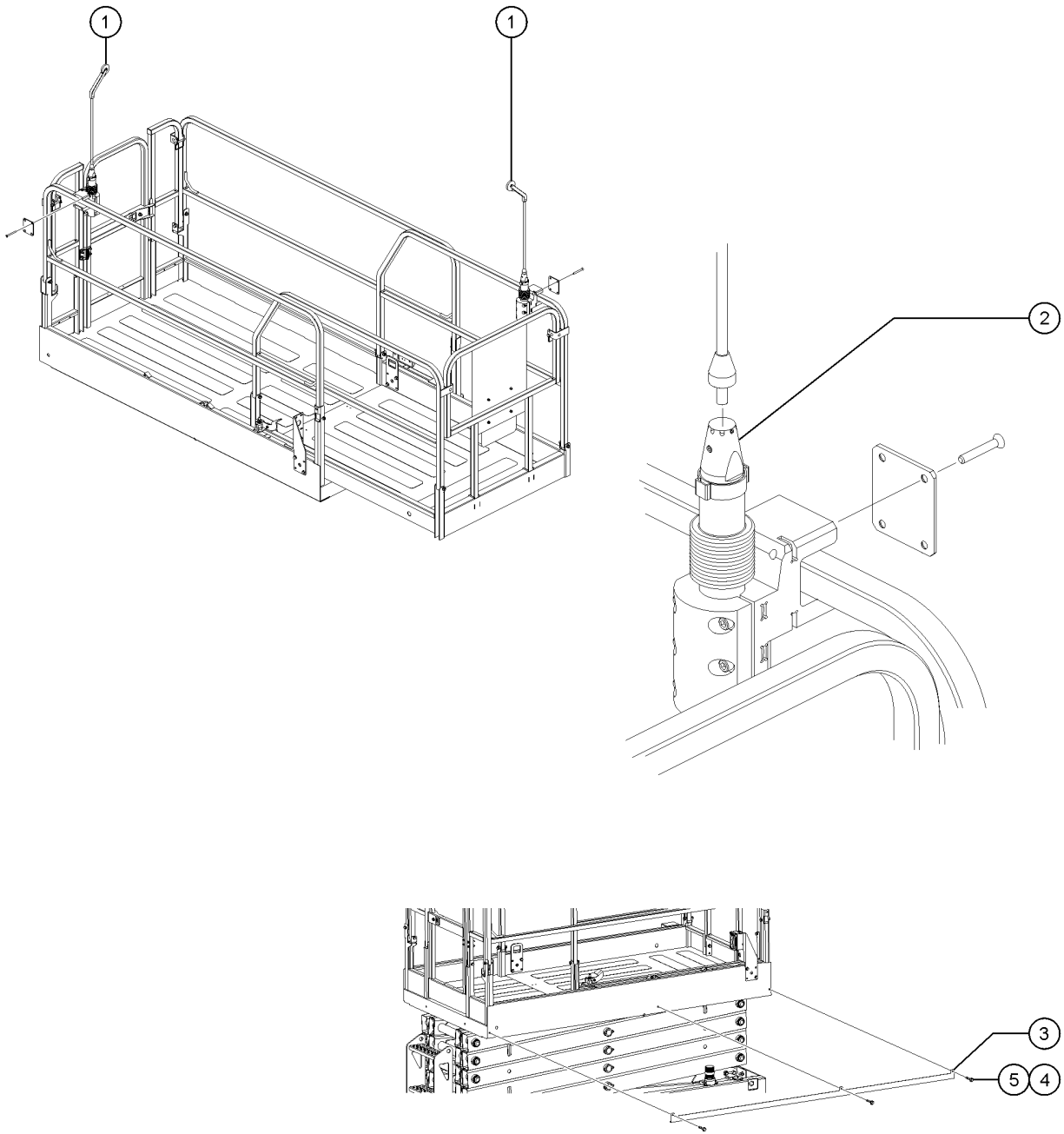


604.1 Voltage Inverter

<i>Item</i>	<i>Part No.</i>	<i>Description</i>	<i>Qty.</i>
1	824078GT	SCREW,HHF,1/4-20X.75,8,ZAG .....	6
2	824027GT	NUT, TL FLG, 1/4-20, G, ZAG .....	8
3	1273457GT	FORMING,CHRGER MT PROTCTION,ANSI,47 mount for charger, refer to item 5 for inverter mount .....	1
4	824079GT	SCREW,HHF,1/4-20X1,8,ZAG .....	2
5	1273456GT	INVERTER BRACKET,GS4047,ANSI .....	4
6	96950GT	INVERTER,24VDC,110/230 VAC*** .....	1



605.1 Lift Guard Contact Alarm, View-1 (to SN GS47P-3306)

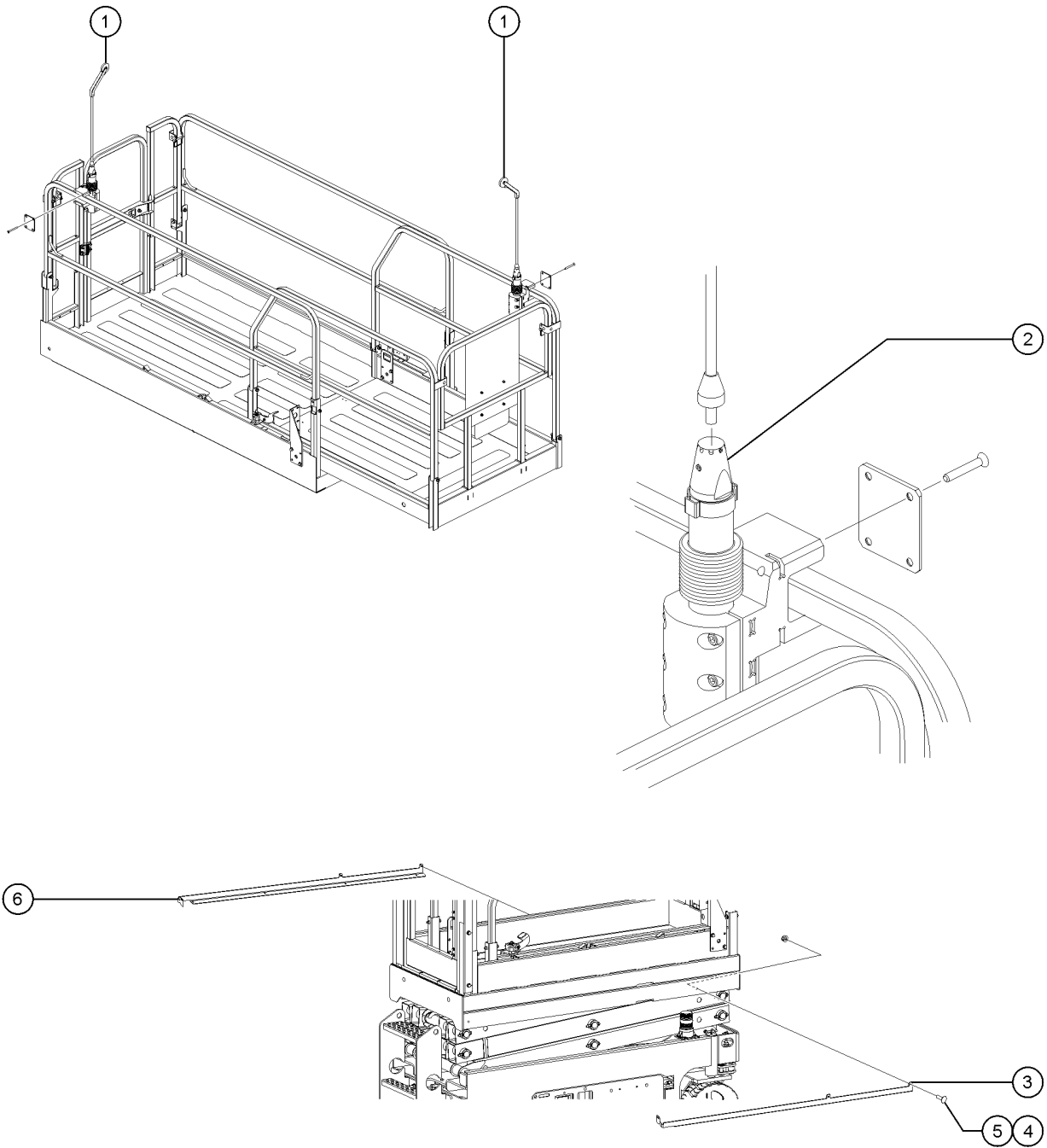


605.1 Lift Guard Contact Alarm, View-1 (to SN GS47P-3306)

Item	Part No.	Description	Qty.
-		CABLE, CONTACT ALARM, 20IN LINK ..... (No longer available)	1
1		ASSEMBLY, LIFTGUARD CONTACT ALARM ..... refer to 606.1 (no longer available)	2
2		ASSEMBLY, LIFTGUARD KNUCKLE ..... OBSOLETE. refer to 606.1 (No longer available)	2
3		FORMING, CONTACT ALARM, CABLE GUIDE, BAT, GS46 ..... Battery Side (No longer available)	1
4	824078GT	SCREW, HHF, 1/4-20X.75, 8, ZAG .....	6
5	824027GT	NUT, TL FLG, 1/4-20, G, ZAG .....	6



605.2 Lift Guard Contact Alarm, View-1 (from SN GS47P-3307)



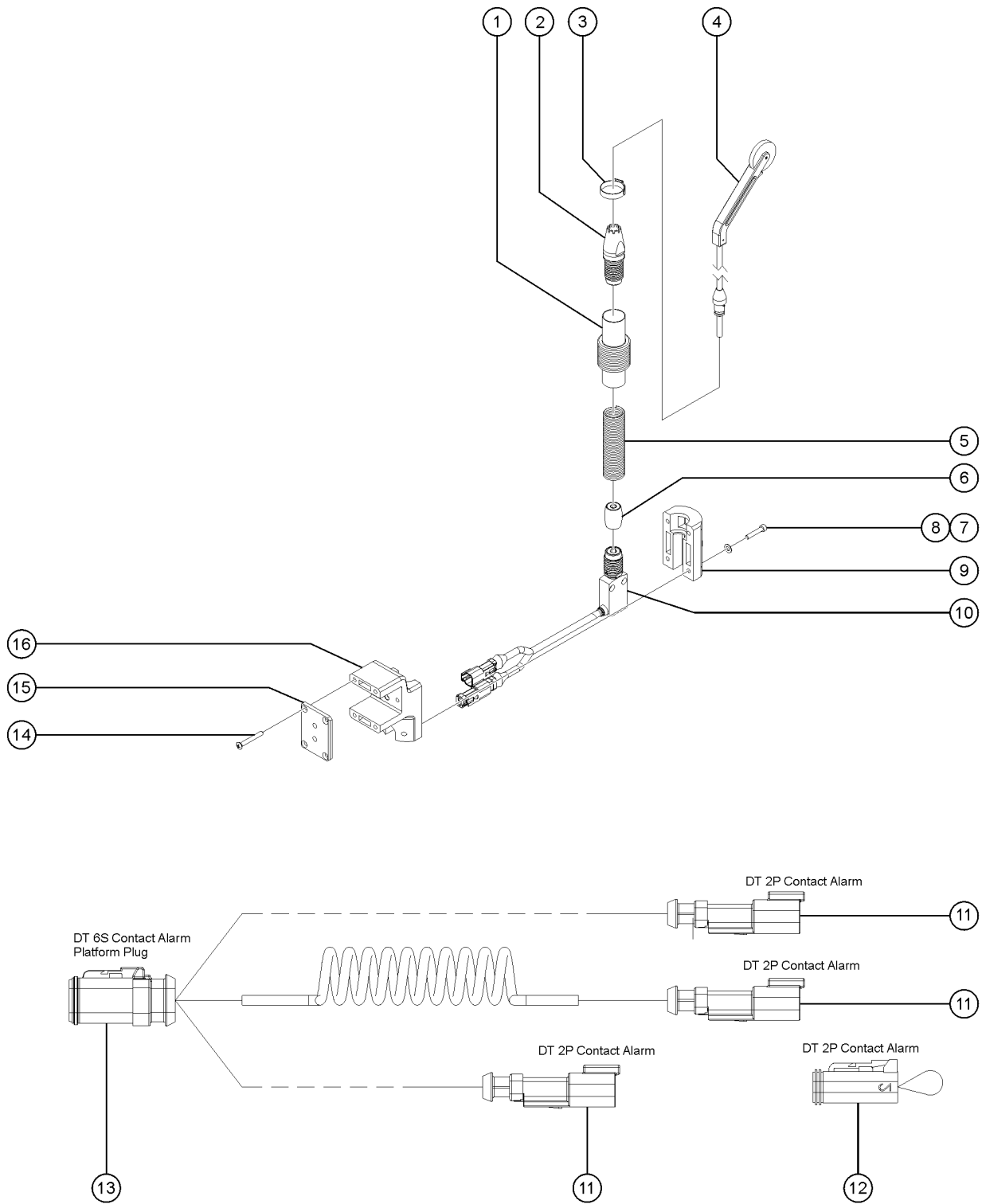


605.2 Lift Guard Contact Alarm, View-1 (from SN GS47P-3307)

Item	Part No.	Description	Qty.
-	1292194GT	FORMING,CABLE GUIDE,CNTRL,GS32 .....	1
1		ASSEMBLY, LIFTGUARD CONTACT ALARM .....	2
		refer to 606.2 (no longer available)	
2		ASSEMBLY, LIFTGUARD KNUCKLE .....	2
		OBSOLETE. refer to 606.2 (No longer available)	
3		FORMING,CABLE GUIDE,CNTRL,GS46 .....	1
		control side (No longer available)	
4	824124GT	BOLT, CARRIAGE, 1/4-20 X .75, 5, ZAG .....	8
5	1277924GT	NUT,NYLOCK FLG,1/4-20,F,ZAG .....	8
6		FORMING,CABLE GUIDE,BAT,GS46 .....	1
		battery side (No longer available)	



606.1 Lift Guard Contact Alarm, View-2 (to SN GS47P-3306)

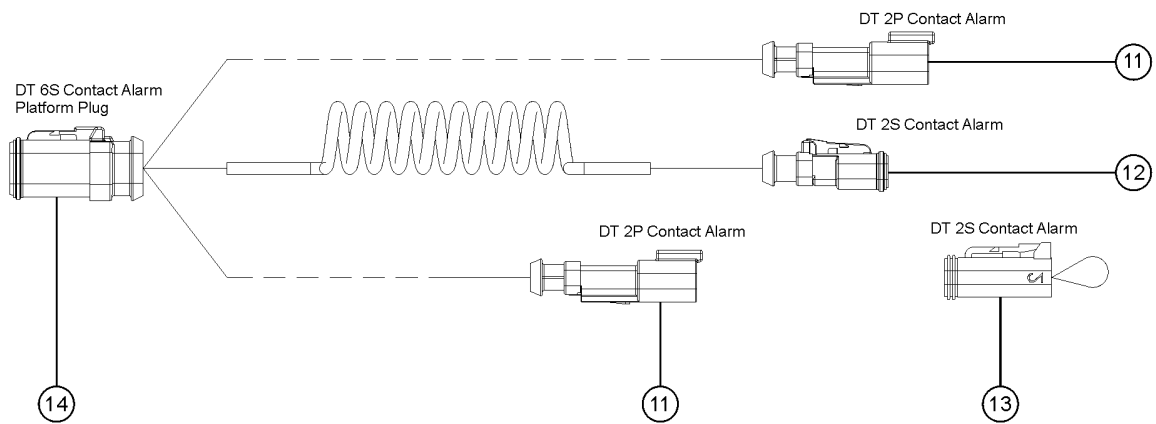
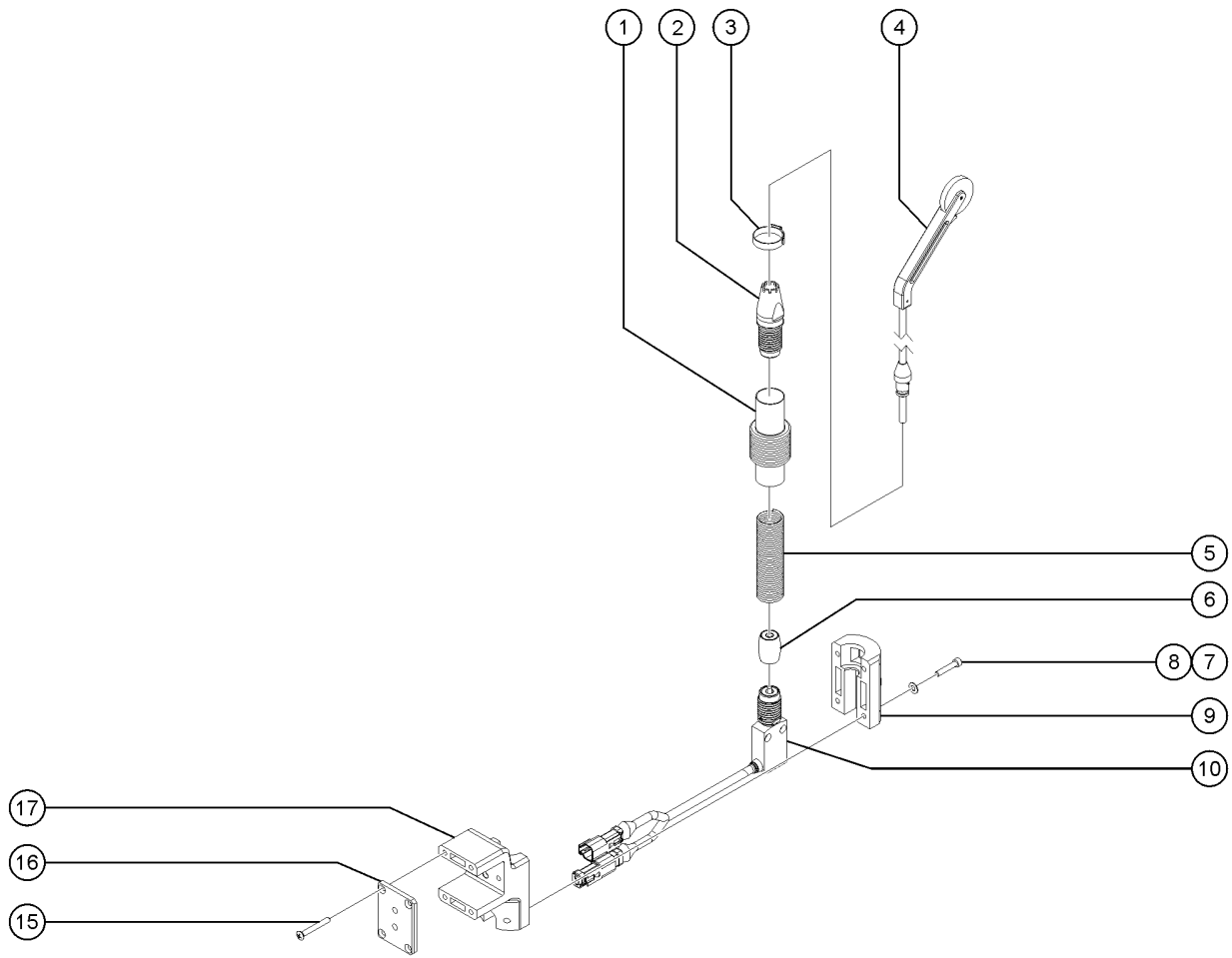


606.1 Lift Guard Contact Alarm, View-2 (to SN GS47P-3306)

Item	Part No.	Description	Qty.
-		ASSEMBLY, LIFTGUARD CONTACT ALARM ..... Includes items 1-10, 14-16 (no longer available)	1
-		ASSEMBLY, LIFTGUARD KNUCKLE ..... OBSOLETE. (part of assy 1287673, includes items 1-3, 5, 6 and 10) (No longer available)	1
1		BELLOW, LIFTGUARD CONTACT ALARM ..... no longer available	1
2		ASSEMBLY, UPPER WHISKER MOUNTING ..... no longer available	1
3	1298716GT	CLAMP, STEPLESS, ONE EAR .....	1
4		ASSEMBLY, WHISKER ..... no longer available	1
5		SPRING, TENSION, CONTACT ALARM ..... no longer available	1
6		ASSEMBLY, MAGNETIC SNAP BARREL ..... no longer available	1
7		SCREW,SHC,10-24X1,F837,18.8,NYL,SS ..... no longer available	4
8		WASHER,FLAT,0.219X0.437X0.031,SS ..... no longer available	4
9		BRACKET, RT LIFTGUARD, PART 2/2 ..... no longer available	1
10		ASSEMBLY, LIMIT SWITCH MOUNT ..... no longer available	1
11	1288352GT	CONN,RECEP,2 WAY,DT,14-18GA,CE09 .....	3
11-	60439GT	CONN, RECEP, 2 WAY, DEUTSCH, DT, LOCK .....	
12	119056GT	CONN, PLUG, 2 WAY, DEUTSCH, DT, ENDCAP .....	1
12-	60425GT	CONN, PLUG, 2 WAY, DEUTSCH, DT, LOCK .....	
13	1288576GT	CONN,PLUG,6WAY,DT,14-18GA,CE13 .....	1
13-	60431GT	LOCK,PLUG 6 WAY,14-18GA .....	
14		SCREW,OHPM,10-24X1.5,NYL,SS ..... no longer available	4
15		PLATE, LIFTGUARD BRACKET ..... no longer available	1
16		BRACKET, RT LIFTGUARD, PART 1/2 ..... no longer available	1



606.2 Lift Guard Contact Alarm, View-2 (from SN GS47P-3307)

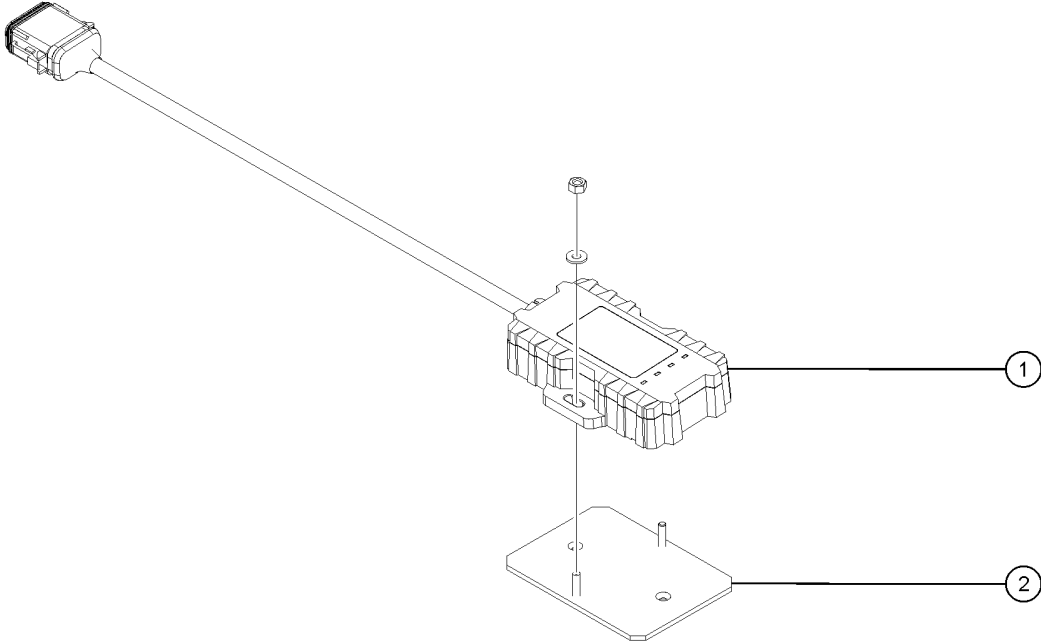


606.2 Lift Guard Contact Alarm, View-2 (from SN GS47P-3307)

Item	Part No.	Description	Qty.
-		ASSEMBLY, LIFTGUARD CONTACT ALARM ..... Includes items 1-10, 15-17 (no longer available)	1
-		ASSEMBLY, LIFTGUARD KNUCKLE ..... OBSOLETE. (part of assy 1287673, includes items 1-3, 5, 6 and 10) (No longer available)	1
-	1291053GT	HARNES,CONTACT ALARM,GS46 PLATFORM ..... Includes items- 11 - 14	1
1		BELLOW, LIFTGUARD CONTACT ALARM ..... no longer available	1
2		ASSEMBLY, UPPER WHISKER MOUNTING ..... no longer available	1
3	1298716GT	CLAMP, STEPLESS, ONE EAR .....	1
4		ASSEMBLY, WHISKER ..... no longer available	1
5		SPRING, TENSION, CONTACT ALARM ..... no longer available	1
6		ASSEMBLY, MAGNETIC SNAP BARREL ..... no longer available	1
7		SCREW,SHC,10-24X1,F837,18.8,NYL,SS ..... no longer available	4
8		WASHER,FLAT,0.219X0.437X0.031,SS ..... no longer available	4
9		BRACKET, RT LIFTGUARD, PART 2/2 ..... no longer available	1
10		ASSEMBLY, LIMIT SWITCH MOUNT ..... no longer available	1
11	1288352GT	CONN,RECEP,2 WAY,DT,14-18GA,CE09 .....	2
11-	60439GT	CONN, RECEP, 2 WAY, DEUTSCH, DT, LOCK .....	2
12	1288351GT	CONN,PLUG,2 WAY,DT,14-18GA,CE13 .....	1
12-	60425GT	CONN, PLUG, 2 WAY, DEUTSCH, DT, LOCK .....	1
13	119056GT	CONN, PLUG, 2 WAY, DEUTSCH, DT, ENDCAP .....	1
13-	60425GT	CONN, PLUG, 2 WAY, DEUTSCH, DT, LOCK .....	1
14	1288576GT	CONN,PLUG,6WAY,DT,14-18GA,CE13 .....	1
14-	60431GT	LOCK,PLUG 6 WAY,14-18GA .....	1
15		SCREW,OHPM,10-24X1.5,NYL,SS ..... no longer available	4
16		PLATE, LIFTGUARD BRACKET ..... no longer available	1
17		BRACKET, RT LIFTGUARD, PART 1/2 ..... no longer available	1



607.1 Telematics Option



607.1 Telematics Option

<i>Item</i>	<i>Part No.</i>	<i>Description</i>	<i>Qty.</i>
-	1289899GT	HARNESS, GATEWAY, GS .....	1
1	1289520GT	MODULE, TELEMATICS, ZTR, M7, NORTH AMERICA North America .....	1
1B	1289521GT	MODULE, TELEMATICS, ZTR, M7, EMEA/APAC EMEA/APAC .....	
1C	1289522GT	MODULE, TELEMATICS, ZTR, M7, APAC/ANZ APAC/ANZ .....	
1D	1289523GT	MODULE, TELEMATICS, ZTR, M7, JAPAN Japan .....	
2	1289561GT	BRACKET, TELEMATICS .....	1



<u>Part no.</u>	<u>Page Number</u>	<u>Part no.</u>	<u>Page Number</u>	<u>Part no.</u>	<u>Page Number</u>
1268GT	11	28443GT	97, 105	44236GT	89
1484GT	11	29868GT	107	44255GT	13, 15, 17
5397GT	71	30738GT	97	44716GT	59
6091GT	45, 103	31060GT	13	44736GT	19
6178GT	33	31508GT	15, 17	44737GT	13, 15, 17
6272GT	47	31788GT	13	44750GT	95
6595GT	79	32339GT	61	44751GT	95
6626GT	79	33724GT	79	44752GT	95
6638GT	103	36369GT	63	44777GT	95
6700GT	37, 47	37947GT	47	44778GT	95
6889GT	103	39232GT	33	44780GT	29, 31, 87
6935GT	79	39310GT	73	44781GT	29, 31
7056GT	79	39469GT	73	44788GT	11, 87
7127GT	79	39474GT	73, 77	44936GT	79
8255GT	29	39540GT	33, 81, 103	44980GT	15, 17, 23, 25
8516GT	67	39542GT	35	44981GT	15, 17, 19, 23, 25, 27
8914GT	103	39579GT	73	44997GT	61
9116GT	61, 65, 103	39873GT	99	45351GT	101
10775GT	79	39876GT	99	45437GT	79
10777GT	79	39877GT	99	45454GT	105
12016GT	35	39878GT	97, 99	45546GT	79
13585GT	79	40434GT	19, 27	46260GT	73
13635-10GT	11, 29	40833GT	39	46287GT	13, 15, 17
13921GT	99	40844GT	95	47098GT	75
18504GT	61	41557-SGT	97	47163GT	73
18722GT	29	41630GT	73	47166GT	73
19491GT	33, 37	42079GT	11, 31	47225GT	73
20224GT	89	43392GT	73, 75, 77	47231GT	75
21253GT	29	43618GT	19, 27	47232GT	33
21279GT	73, 75	43619GT	15, 17	47238GT	33
22446GT	75	43658GT	15, 17, 23, 25	47374GT	75, 77
22664GT	99	43685GT	95	47946GT	29
24514GT	75	43956GT	79, 107	48880GT	89
25817GT	35	44168GT	89	48997GT	89, 99
27581GT	11	44169GT	89	49612GT	89
27903GT	105	44171GT	89	49613GT	11, 89
28131GT	59	44174GT	89	51063GT	33, 49
28174GT	15, 17, 19, 23, 25, 27	44175GT	89, 91	51152GT	99
28175GT	15, 17	44207GT	87	51474GT	63
28176GT	19	44226GT	89, 91	52368GT	97
28235GT	15, 17, 19, 23, 25, 27	44229GT	89	52475GT	13, 15, 17, 21, 23, 25
28236GT	19	44230GT	89, 91	55010GT	41



<u>Part no.</u>	<u>Page Number</u>	<u>Part no.</u>	<u>Page Number</u>	<u>Part no.</u>	<u>Page Number</u>
55355GT	35	81579GT	103	96309GT	51, 55
55560GT	97	82052-SGT	73	96354GT	45, 99, 105
55675GT	39, 45	82053-SGT	75	96398GT	99
56912GT	33, 47	82366GT	15, 17	96408GT	35
56926GT	51, 55	82473GT	23, 25	96413GT	73
57075GT	79	82474GT	21, 23, 25	96419GT	87
58000GT	65	82476GT	21, 23, 25	96452GT	47
58592GT	29	82481GT	21	96487GT	65
58627GT	47	82482GT	23, 25	96541GT	35
60425GT	115, 117	82487GT	23, 25, 27	96542GT	105
60431GT	115, 117	82495GT	21	96572GT	29
60439GT	115, 117	82557GT	19	96573GT	29
65962GT	89, 91	82558GT	15, 17	96574GT	29
65990-SGT	75	82559GT	15, 17	96595GT	63
66055GT	65, 67	82560GT	23, 25	96603GT	67
66204GT	45	82561GT	13, 15, 17	96615GT	65
66389GT	99	82562GT	21, 23, 25	96616GT	65
66397GT	59	82730GT	19	96637GT	35
66399GT	11	82736GT	27	96638GT	37
66512GT	75	83093GT	47	96639GT	35
66544GT	75	84384GT	89	96642GT	35
66717GT	39, 59	84385GT	89, 91	96643GT	35
66770GT	29	84386GT	89	96661GT	69
66812GT	47, 81	84574GT	35	96662GT	67
66817GT	49, 81	84587GT	73	96699GT	45
66920GT	75	84739GT	93	96709GT	45
66923GT	75	84740GT	93	96719GT	77
72086GT	13, 15, 17, 21, 23, 25	84742GT	93	96735GT	69
72143GT	15, 17, 23, 25	84743GT	93	96749GT	101
72326GT	33, 81, 103	84746GT	93	96750GT	99
72853GT	15, 17	84747GT	63	96760GT	73
72970GT	13	84748GT	93	96770GT	97
75631GT	39	85239GT	47	96794GT	77
77709GT	89	96008-SGT	47	96836GT	69
78022GT	73	96010GT	47	96838GT	35
78038GT	75	96085GT	37	96839GT	35
78086GT	35	96110GT	59	96840GT	35
78422GT	61	96130GT	65	96855GT	45
78546GT	11, 45	96142GT	35	96862GT	67
78622GT	87	96200GT	75	96870GT	33
78736GT	29, 71	96246GT	75	96876GT	31
79140GT	59	96281GT	35	96881GT	99

<u>Part no.</u>	<u>Page Number</u>	<u>Part no.</u>	<u>Page Number</u>	<u>Part no.</u>	<u>Page Number</u>
96882GT	99	105733GT	47	219611GT	41
96887GT	31	105734GT	47	228339GT	45, 99
96899GT	65	105759GT	47	228361GT	45
96900GT	65	105801GT	99, 101	229086GT	83
96932GT	65	105803GT	101	229087GT	83
96948GT	33, 37	105958GT	105	229088GT	83
96950GT	109	105959GT	105	229089GT	83
97128GT	33, 37	114334GT	23, 25	229090GT	83
97241GT	63	114337GT	21	229091GT	83
97242GT	73	114338GT	27	229092GT	83
97258GT	75	114361GT	13, 21	229093GT	83
97263GT	77	114372GT	21, 23, 25	229094GT	83
97264GT	77	114385GT	13, 15, 17	229097GT	83
97267GT	29	114386GT	19	229579GT	67
97409GT	89	119056GT	115, 117	229604GT	41
97719GT	23, 25	119827GT	61	229606GT	61
104804GT	75	122994GT	47	229615GT	97
105046GT	99	128118GT	33	229616GT	61
105060GT	37	133276GT	15, 17	229845GT	81
105067GT	93	133596GT	19	230364GT	29
105069GT	35	137562GT	47	230620GT	19, 27
105074GT	67	137587GT	81	230757GT	21
105156GT	35	137605GT	19, 27	230758GT	13, 15, 17, 21, 23, 25
105186GT	67	137634GT	83	231868GT	107
105189GT	65	137637GT	47, 81	231921GT	81
105191GT	69	137640GT	81	231922GT	81
105193GT	65	137642GT	81	232580GT	51, 55
105205GT	67	137656GT	19, 27, 81	232582GT	59
105206GT	67	137668GT	47	233430GT	51, 55, 59
105208GT	67	137699GT	81	235462GT	83
105213GT	67	144130GT	41	235463GT	83
105214GT	51, 55	144213GT	51, 55	235464GT	81
105246GT	99	144226GT	33	236781GT	51, 55
105334GT	41	150104GT	89	236806GT	59
105454GT	29, 31	150105GT	89	236821GT	59
105547GT	87	214817GT	97	236822GT	59
105550GT	87	214827GT	59	236837GT	95
105574GT	61	214864GT	13	236914GT	99
105577GT	101	214867GT	13	236917GT	99
105578GT	99	215543GT	41	237086GT	89
105580GT	99	215749GT	99	237165GT	39
105732GT	47	216276GT	99	237455GT	97

<u>Part no.</u>	<u>Page Number</u>	<u>Part no.</u>	<u>Page Number</u>	<u>Part no.</u>	<u>Page Number</u>
237472GT	97	1256679GT	39, 41, 45, 65	1261526GT	103
238348GT	71	1256702GT	19, 27	1261822GT	67
823368GT	33	1256719GT	47	1261823GT	67
824025GT	65	1256721GT	47	1261888GT	89
824027GT	29, 33, 39, 43, 45, 47...	1256725GT	81	1261982GT	21
824028GT	61	1256727GT	81	1261983GT	27
824029GT	35, 63, 75	1256848GT	65	1261998GT	21
824038GT	35, 73	1256855	75	1262911GT	107
824077GT	97	1256856GT	75	1263542GT	23, 25
824078GT	45, 77, 109, 111	1257054GT	59	1264372GT	43
824079GT	33, 109	1257055GT	59	1264780GT	97
824080GT	65	1257188GT	19	1264781GT	97
824089GT	107	1257227GT	107	1264822GT	51, 55
824094GT	73	1257840GT	45	1264834GT	51, 55
824100GT	95	1257845GT	51, 55	1265361GT	17, 25
824110GT	95	1257855GT	59	1269086GT	107
824113GT	75	1257858GT	59	1269087GT	107
824120GT	29	1257923GT	19, 27	1269107GT	107
824124GT	29, 33, 39, 41, 45, 47...	1258731GT	81	1270162GT	103
825019GT	67	1259177GT	35	1270281GT	53, 57
825020GT	65	1259178GT	35	1270456GT	39
825358GT	35, 73	1259180GT	35	1270662GT	103
825796GT	65	1259181GT	73	1272120GT	53, 57
1251997GT	29, 31, 63	1259182GT	73	1272121GT	53, 57
1252765GT	59	1259193GT	29	1272242GT	13, 21
1252766GT	59	1259195GT	29	1272557GT	43
1252767GT	59	1259197GT	35	1273361GT	69
1252977GT	73	1259223GT	73	1273364GT	69
1253478GT	73	1259686GT	35	1273365GT	69
1253485GT	75	1259923GT	19	1273366GT	69
1254572GT	103	1260202GT	51, 55	1273367GT	67
1255757GT	35, 63, 67	1260386GT	103	1273370GT	67
1255758GT	37, 73	1260603GT	99	1273371GT	31
1255801GT	61	1260604GT	99	1273373GT	39
1256109GT	29	1260605GT	99	1273379GT	45
1256115GT	31, 63	1260926GT	75	1273380GT	45
1256123GT	29	1260941GT	65	1273381GT	31
1256127GT	43	1260962GT	67	1273382GT	41
1256177GT	37	1260963GT	65	1273383GT	71
1256287GT	29, 31	1260984GT	47	1273384GT	71
1256454GT	45	1261143GT	103	1273385GT	67
1256467GT	67, 107	1261183GT	103	1273386GT	69

<u>Part no.</u>	<u>Page Number</u>	<u>Part no.</u>	<u>Page Number</u>	<u>Part no.</u>	<u>Page Number</u>
1273387GT	67	1314754GT	85		
1273388GT	39	1314755GT	85		
1273419GT	65	1314756GT	85		
1273420GT	67	T106362GT	47		
1273421GT	65	T106363GT	47		
1273426GT	67	T106366GT	47		
1273427GT	65	T106368GT	81		
1273456GT	109	T106370GT	81		
1273457GT	109	T106372GT	47		
1273573GT	69	T106373GT	81		
1274167GT	103	T107029GT	13		
1274168GT	37	T107031GT	15, 17		
1274540GT	107	T108326GT	45		
1275722GT	103	T108327GT	49		
1277924GT	113	T108662GT	95		
1278366GT	53, 57	T108663GT	87		
1278664GT	43	T108664GT	87		
1278704GT	17, 25	T108667GT	45		
1280819GT	17	T110890GT	51, 55		
1281117GT	105	T110891GT	51, 55		
1281118GT	105	T112507GT	33		
1281119GT	105	T112508GT	51, 55		
1282018GT	97	T112509GT	51, 55		
1282019GT	97	T112804GT	15, 17, 23, 25		
1284268GT	75	T113136GT	53, 57		
1285864GT	63	T113296GT	45		
1288351GT	117	T113787GT	77		
1288352GT	115, 117	T113971GT	39		
1288576GT	115, 117	T114031GT	53, 57		
1289520GT	119	T114397GT	81		
1289521GT	119				
1289522GT	119				
1289523GT	119				
1289561GT	119				
1289899GT	119				
1291053GT	53, 57, 117				
1292194GT	113				
1298556GT	87				
1298716GT	115, 117				
1298933GT	11				
1299590GT	89, 91				
1301219GT	87				



California Proposition 65

 **WARNING**

Operating, servicing and maintaining this equipment, passenger vehicle or off-highway motor vehicle can expose you to chemicals including engine exhaust, carbon monoxide, phthalates, and lead, which are known to the State of California to cause cancer and birth defects or other reproductive harm. These chemicals can be emitted from or contained in other various parts and systems, fluids and some component wear by-products. To minimize exposure, avoid breathing exhaust, do not idle the engine except as necessary, service your equipment and vehicle in a well-ventilated area and wear gloves or wash your hands frequently when servicing your equipment or vehicle and after operation. For more information go to [www.P65Warnings.ca.gov/passenger-vehicle](http://www.P65Warnings.ca.gov/passenger-vehicle).

Breathing diesel engine exhaust exposes you to chemicals known to the State of California to cause cancer and birth defects or other reproductive harm.

- Always start and operate the engine in a well-ventilated area.
- If in an enclosed area, vent the exhaust to the outside.
- Do not modify or tamper with the exhaust system.
- Do not idle the engine except as necessary.

For more information go to [www.P65warnings.ca.gov/diesel](http://www.P65warnings.ca.gov/diesel).

[www.genielift.com](http://www.genielift.com)

Distributed By: